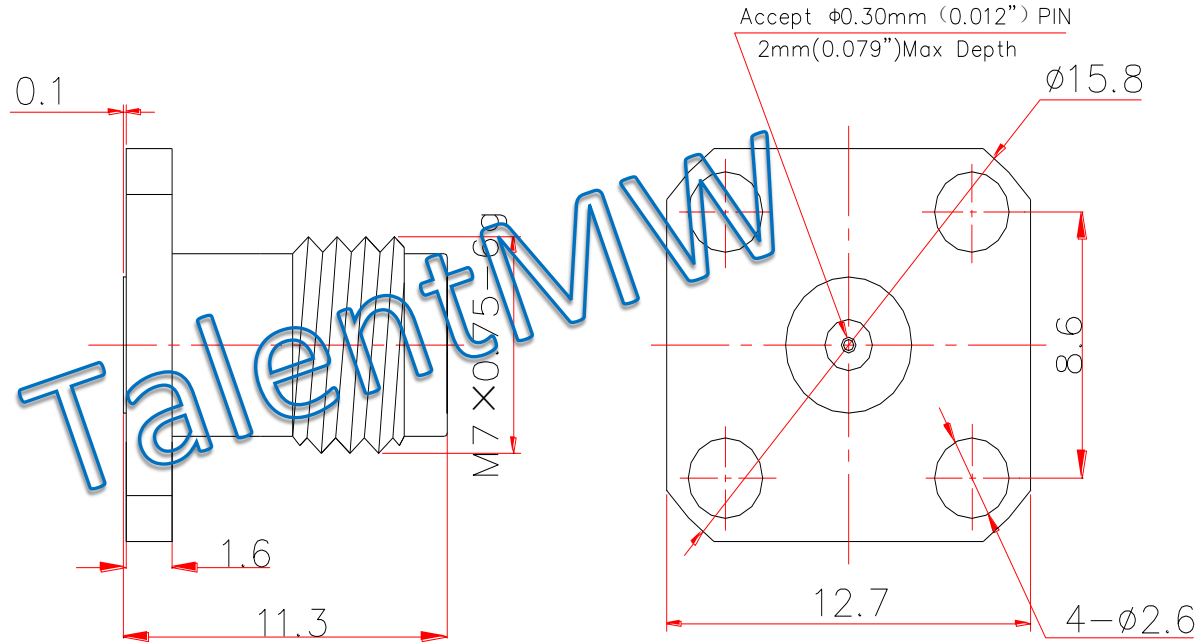


TalentMWW



Electrical & Environmental Characteristics

Impedance	50 Ohm
Insulation Resistance	3000 MΩ
Operating Frequency	65GHz
Dielectric Withstanding Voltage	500 V
VSWR	1.25
Insertion Loss	0.05* $\sqrt{f_{GHz}}$
Operating Temperature	-55~+165°C

Material & Coat-Plating

Inner Conductor	Beryllium Copper, Gold
Dielectric	PEI
Body	Stainless Steel, Passivated
Coupling Nut	N/A

THIS DRAWING IS A CONTROLLED DOCUMENT		DWN	Suzhou Talent Microwave, Inc		
		CHK			
Unit mm	TOLERANCES UNLESS OTHERWISE SPECIFIED 0 PLC ±0.25 1 PLC ±0.15 2 PLC ±0.12 3 PLC ± ANGLES ±1°	APVD	Product Mode 1.85-KFD80112 1.85 Female Flange Connector		
		PRODUCT SPEC			
		APPLICATION SPEC			
MATERIAL SEE TABLE	FINISH SEE TABLE	WEIGHT	SIZE A4	GAGE CODE 0T8L4	DRAWING NO
		CUSTOMER DRAWING	SCALE 4: 1	SCALE 4: 1	SHEET 1 OF 1
					RVE 1