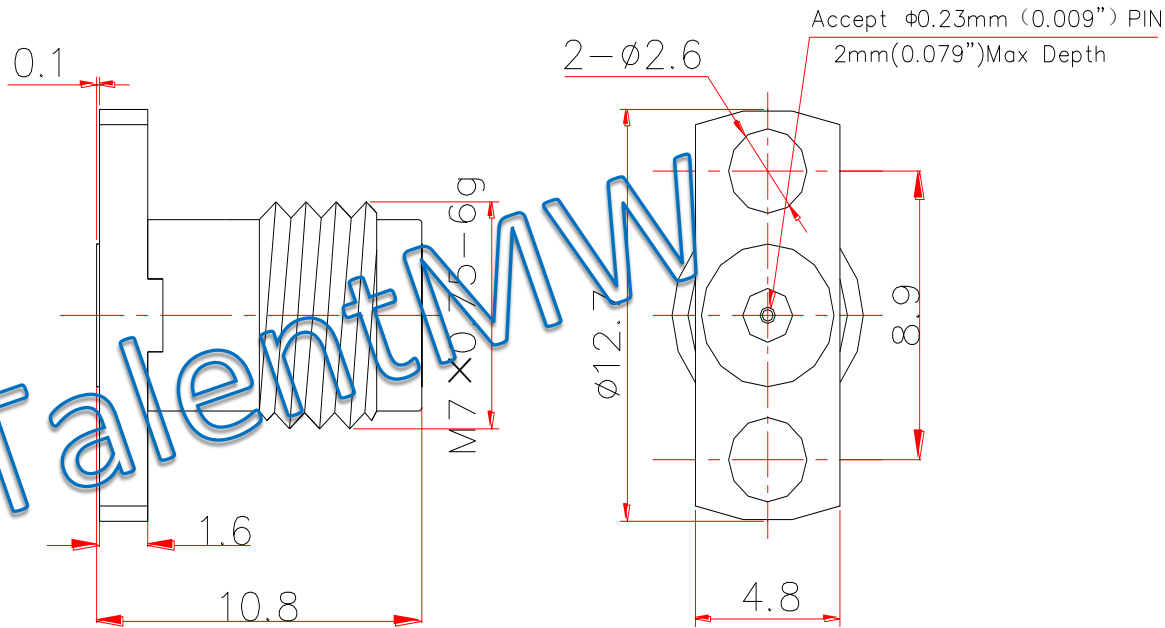


Talent MW



Electrical & Environmental Characteristics

Impedance	50 Ohm
Insulation Resistance	3000 M Ω
Operating Frequency	50GHz
Dielectric Withstanding Voltage	750 V
VSWR	1.15
Insertion Loss	0.05* $\text{Sqrt}(f_GHz)$
Operating Temperature	-55~+165 $^{\circ}\text{C}$

Material & Coat-Plating

Inner Conductor	Beryllium Copper, Gold
Dielectric	PEI
Body	Stainless Steel, Passivated
Coupling Nut	N/A

THIS DRAWING IS A CONTROLLED DOCUMENT		DWN	Suzhou Talent Microwave, Inc		
		CHK			
Unit mm	TOLERANCES UNLESS OTHERWISE SPECIFIED 0 PLC ± 0.25 1 PLC ± 0.15 2 PLC ± 0.12 3 PLC \pm 3 PLC \pm ANGLES $\pm 1^{\circ}$	APVD	Product Mode 2.4-KFD80609 2.4 Female Flange Connector		
		PRODUCT SPEC			
		APPLICATION SPEC			
MATERIAL SEE TABLE	FINISH SEE TABLE	WEIGHT	SIZE A4	GAGE CODE OT8L4	DRAWING NO
		CUSTOMER DRAWING		SCALE 4: 1	SCALE 4: 1
				SHEET 1 OF 1	RVE 1