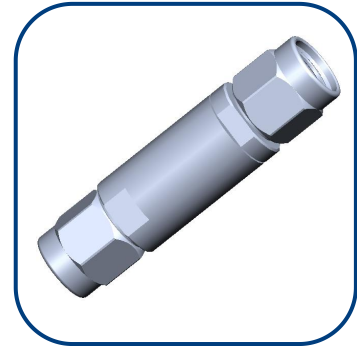


Part No: TDCBSMSM

5MHz-18GHz,50V,SMA Male-Male DC Block

电气特性 Electrical:

工作频率 Frequency:	5MHz-18GHz
插损 Insertion Loss:	0.8 dBMax
驻波 VSWR:	1.20Max
工作电压 DC Voltage:	50 VOLTS
阻抗 Impedance:	50 OHMS



机械特性 Mechanical:

操作温度 Operation Temperature:	-55~+165°C
存储温度 Storage Temperature:	-55~+165°C
壳体 Body Material:	Stainless Steel 303
内导体 Center conductor:	Becu, Golden
接口 Connectors:	SMA Male to Male
相对湿度 Relative Humidity:	0 ~ 90%

外形尺寸 Outline Drawing:

Unit: mm(inches)

