

SP3T to SP6T Electromechanical Switch

Normally Open , DC to 18 GHz, SMA, D-SUB

电气参数 Electrical Characteristics:

参数Parameter	条件Condition		
频率范围 Frequency Range	DC-18GHz		
阻抗 RF Impedance	50 Ohms		
开关模式 Operation Mode	Normally Open		
开关顺序 Switch Sequence	Break before make		
切换时间 Switching time	15 ms Max		
开关寿命 Standard Actuator Life	2 million Min		
驱动电压 Actuator voltage Available	12	24	28 V
驱动电流 Actuator current	285	150	140 mA



射频特性 RF Specifications:

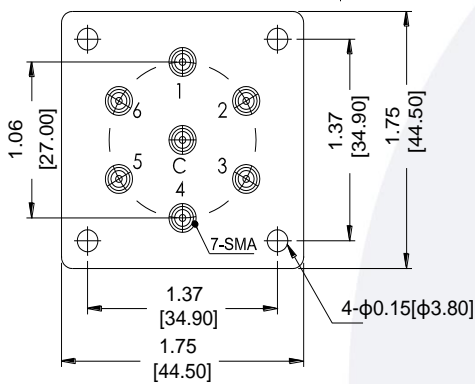
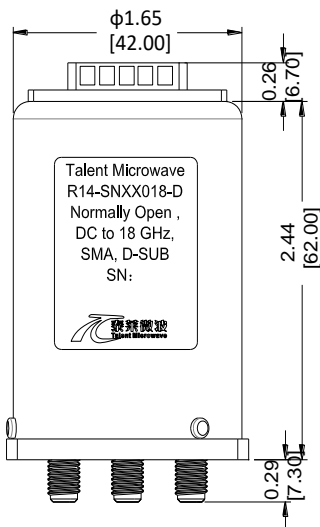
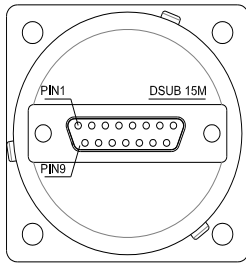
频率范围 Frequency (GHz)	DC-6	6-12	12-18
插损 Insertion Loss (dB max.)	0.3	0.4	0.5
隔离 Isolation (dB min.)	70	60	60
驻波 VSWR (max.)	1.3:1	1.4:1	1.5:1
平均功率 RF Power CW (Watts max.)	80	50	45

环境和物理特性 Environmental And Physical Characteristics:

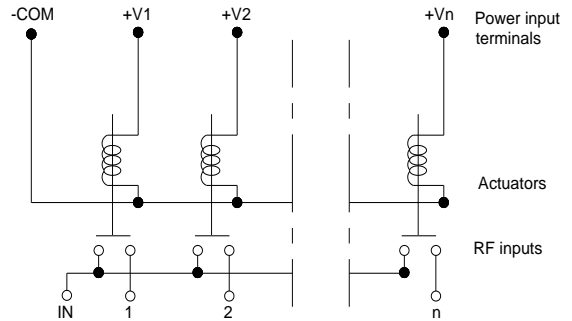
参数Parameter	条件 Condition
操作温度 Operating Temperature	-25°C to +65°C(Standard) -55°C to +85°C(Optional)
震动 Vibration(operating)	10G RMS, 20-2000HZ
冲击 Shock(non operating)	50G, 1/2Sine, 12msec
射频接口 Connector Type	SMA Female
控制接口 Control Connector	D-SUB 15PIN Male
重量 Weight	285g Max

外形尺寸 Outline Drawing:

原理图 Schematic:



Unit: Inch(mm)



Pin NO	FUNCTION	RF Connect Used			
		SP3T	SP4T	SP5T	SP6T
1	V1	1	1	1	1
2	V2		2	2	2
3	V3	3		3	3
4	V4			4	4
5	V5	5	4	5	5
6	V6		5		6
7	-COM				
8	NC				
9	NC				
10	NC				
11	NC				
12	NC				
13	NC				
14	NC				
15	NC				

标准型号 Part Number:

标准型号 Part Number				驱动电压 Actuator voltage	可选项 Option
SP3T	SP4T	SP5T	SP6T		
R13-SN12018-D	R14-SN12018-D	R15-SN12018-D	R16-SN12018-D	12 V	-S(-55°C - +85°C)
R13-SN24018-D	R14-SN24018-D	R15-SN24018-D	R16-SN24018-D	24 V	
R13-SN28018-D	R14-SN28018-D	R15-SN28018-D	R16-SN28018-D	28 V	

典型曲线 Typical Performance Data:

