

SP7T to SP8T Electromechanical Switch

Normally Open , DC to 18 GHz, SMA, TTL, D-SUB

电气参数 Electrical Characteristics:

参数Parameter	指标 Value
频率范围 Frequency Range	DC-18 GHz
阻抗 RF Impedance	50 Ohms
开关模式 Operation Mode	Normally Open
TTL 电压 TTL Voltage	0-0.8 V(OFF) 2.4-5 V(ON)
开关顺序 Switch Sequence	Break before make
切换时间 Switching time	15 ms Max
开关寿命 Standard Actuator Life	2 million Min
驱动电压 Actuator Voltage Available	12 24 28 V
驱动电流 Actuator current	290 150 130 mA



射频特性 RF Specifications:

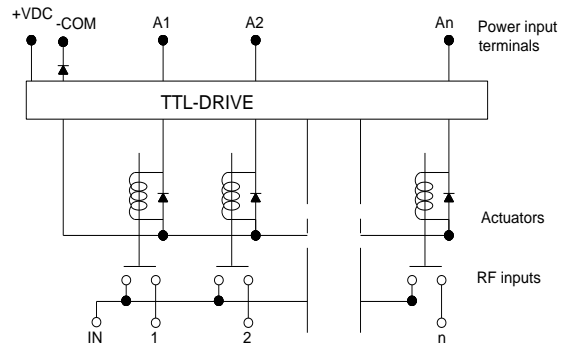
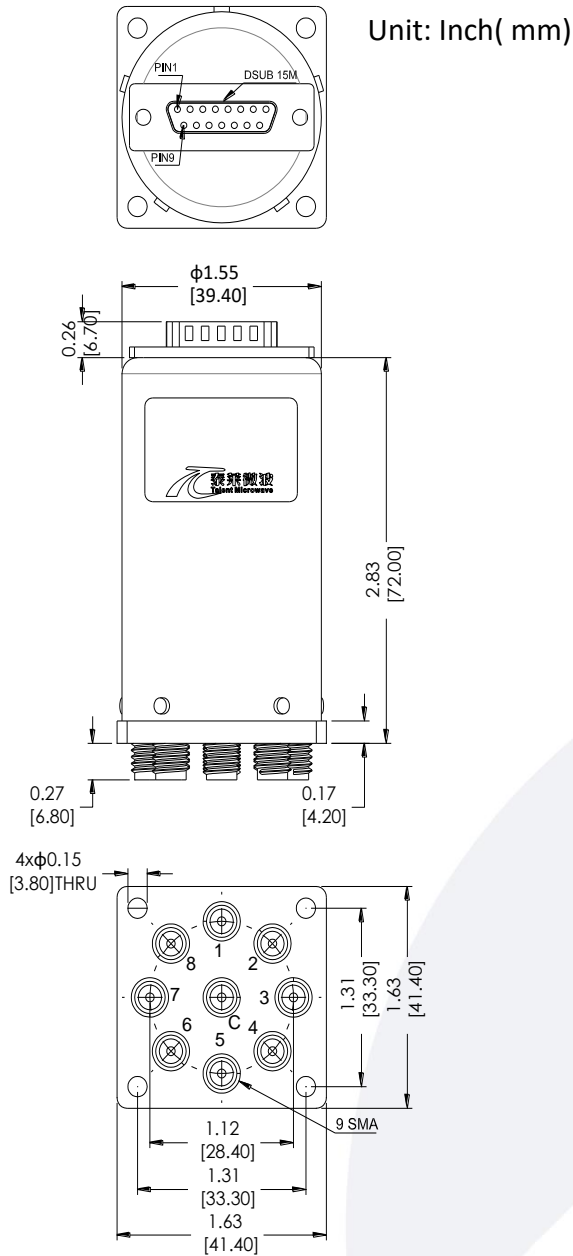
频率范围 Frequency (GHz)	DC-4	4-8	8-12.4	12.4-18
插损 Insertion Loss (dB max.)	0.2	0.3	0.4	0.6
隔离 Isolation (dB min.)	75	65	60	60
驻波 VSWR (max.)	1.2:1	1.3:1	1.4:1	1.6:1
平均功率 RF Power CW (Watts max.)	100	70	60	45

环境和物理特性 Environmental And Physical Characteristics:

参数Parameter	指标 Value
操作温度 Operating Temperature	-25°C to +65°C(Standard) -55°C - +85°C(Optional)
震动 Vibration(operating)	10G RMS, 20-2000HZ
冲击 Shock(non operating)	50G, 1/2Sine, 12msec
射频接口 Connector Type	SMA Female
控制接口 Control Connector	D-SUB 15 PIN Male
重量 Weight	220g Max

外形尺寸 Outline Drawing:

原理图 Schematic:



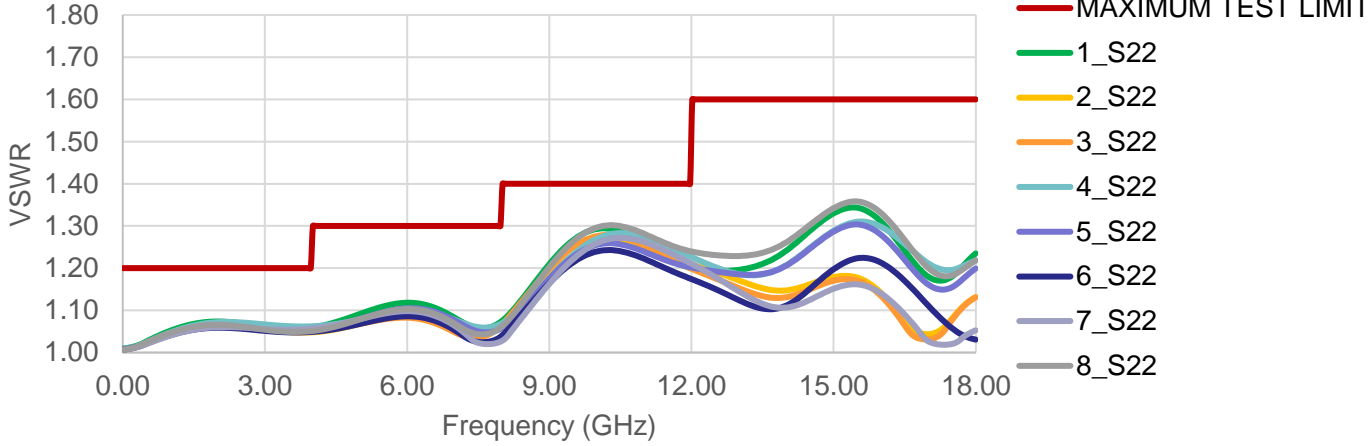
Pin NO	15 PIN D-SUB	RF Connect Used	
	FUNCTION	SP7T	SP8T
1	A1	1	1
2	A2	2	2
3	A3	3	3
4	A4	4	4
5	A5	5	5
6	A6	6	6
7	A7	7	7
8	A8		8
9	-COM		
10	NC		
11	NC		
12	NC		
13	NC		
14	NC		
15	+VDC		

标准型号 Part Number:

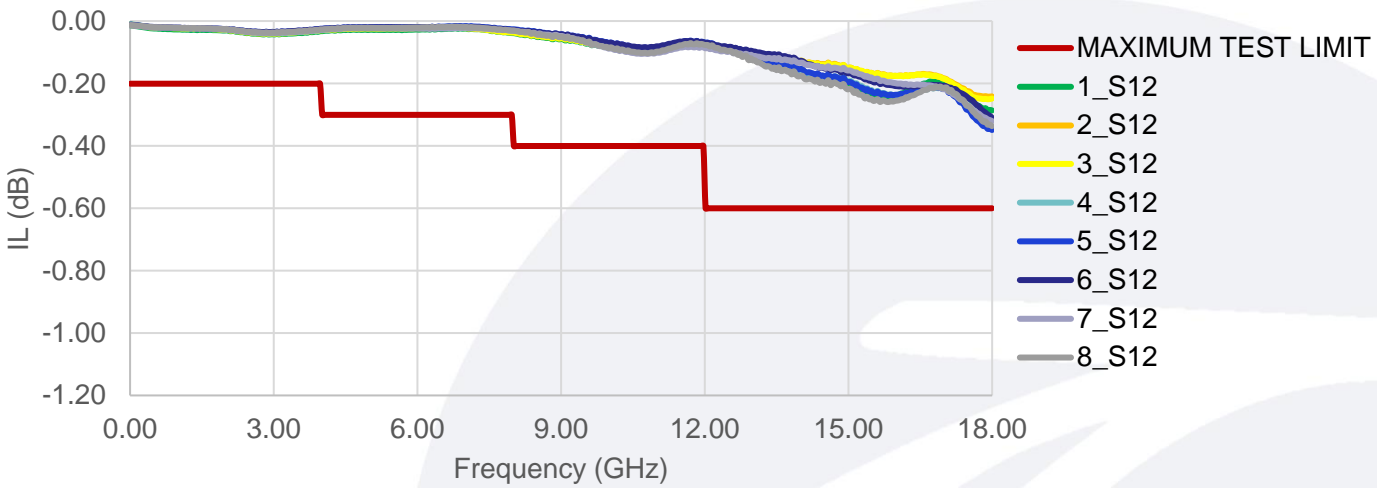
标准型号 Part Number		驱动电压 Actuator voltage	可选项 Option
SP7T	SP8T		
R17-SN12T18-D	R18-SN12T18-D	12 V	-S(-55°C - +85°C)
R17-SN24T18-D	R18-SN24T18-D	24 V	
R17-SN28T18-D	R18-SN28T18-D	28 V	

典型曲线 Typical Performance Data:

VSWR



INSERTION LOSS



ISOLATION

