

**Part No: TDCB29F29F-2**

5MHz-40GHz,60V,2.92mm Female-Female DC Block

**电气特性 Electrical:**

工作频率 Frequency:	5MHz-40GHz
插损 Insertion Loss:	0.5 dBMax
驻波 VSWR:	1.30Max
工作电压 DC Voltage:	60 VOLTS
阻抗 Impedance:	50 OHMS

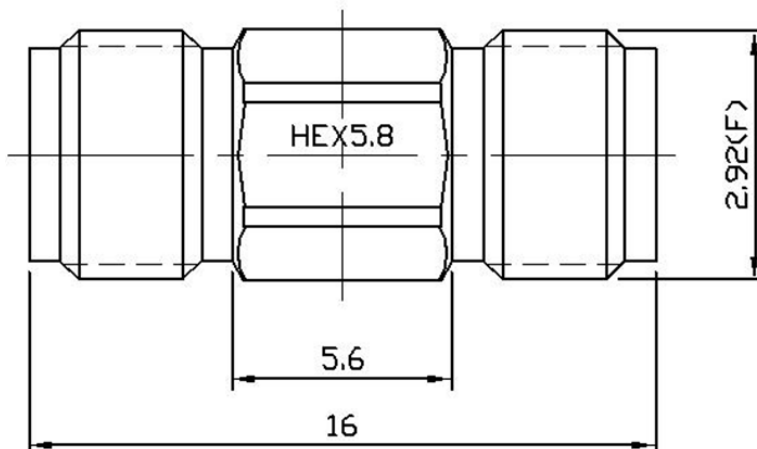


**机械特性 Mechanical:**

操作温度 Operation Temperature:	-55~+165°C
存储温度 Storage Temperature:	-55~+165°C
壳体 Body Material:	Stainless Steel 303
内导体 Center conductor:	Becu, Golden
接口 Connectors:	2.92mm Female to Female
相对湿度 Relative Humidity:	0 ~ 90%

**外形尺寸 Outline Drawing:**

Unit: mm



测试曲线 Test curve

