

DPDT Electromechanical Switch

Failsafe, DC to 40 GHz, TTL, 2.92mm, Indicators, D-SUB

电气参数 Electrical Characteristics:

| 参数Parameter | 条件Condition |
|---------------------------------|---|
| 频率范围 Frequency Range | DC-40GHz |
| 阻抗 RF Impedance | 50 Ohms |
| 开关模式 Operation Mode | Failsafe |
| 开关顺序 Switch Sequence | Break before make |
| 切换时间 Switching time | 15 ms Max |
| 开关寿命 Standard Actuator Life | 2 million Min |
| TTL 电压 TTL Voltage | 0-0.8 V(OFF) 2.4-5 V(ON) |
| 驱动电压 Actuator voltage Available | 12 24 28 V |
| 驱动电流 Actuator current | 400 230 180 mA |
| 指示灯参数 Indicator Specifications | Max withstand voltage: 60V Max current capacity: 100mA Max "ON" resistance: 16Ω |



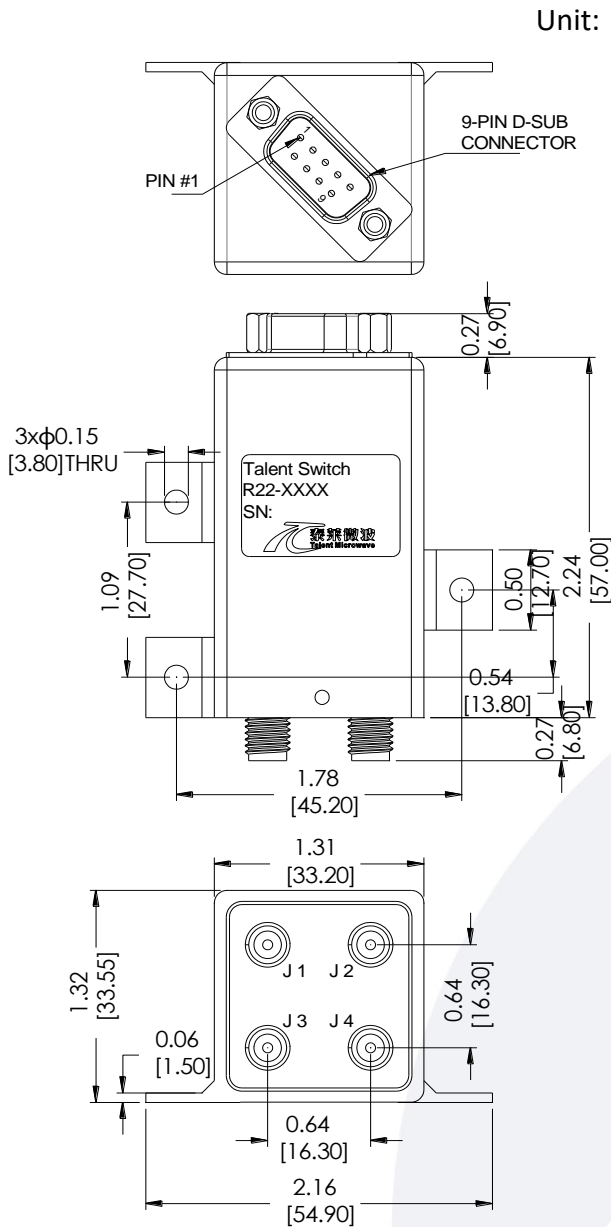
射频特性 RF Specifications:

| 频率范围 Frequency (GHz) | DC-6 | 6-12 | 12-18 | 18-26.5 | 26.5-40 |
|-------------------------------|-------|-------|-------|---------|---------|
| 插损 Insertion Loss (dB max.) | 0.20 | 0.30 | 0.40 | 0.70 | 1.00 |
| 隔离 Isolation (dB min.) | 70 | 70 | 60 | 55 | 50 |
| 驻波 VSWR (max.) | 1.2:1 | 1.3:1 | 1.4:1 | 1.7:1 | 2.0:1 |
| 平均功率 RF Power CW (Watts max.) | 80 | 50 | 45 | 15 | 8 |

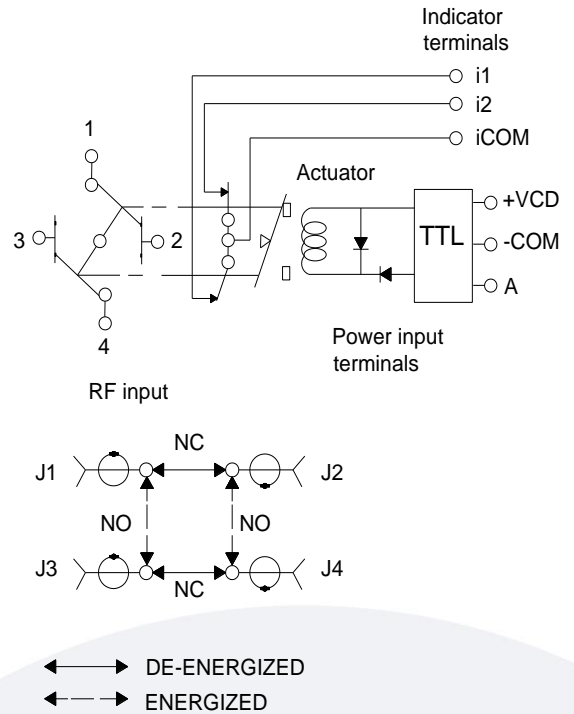
环境和物理特性 Environmental And Physical Characteristics:

| 参数Parameter | 条件 Condition |
|----------------------------|---|
| 操作温度 Operating Temperature | -25°C to +65°C(Standard) -55°C to +85°C(Optional) |
| 震动 Vibration(operating) | 10G RMS, 20-2000HZ |
| 冲击 Shock(non operating) | 50G, 1/2Sine, 12msec |
| 射频接口 Connector Type | 2.92mm Female |
| 控制接口 Control Connector | D-SUB 9PIN Male |
| 重量 Weight | 120g Max |

外形尺寸 Outline Drawing:



原理图 Schematic:



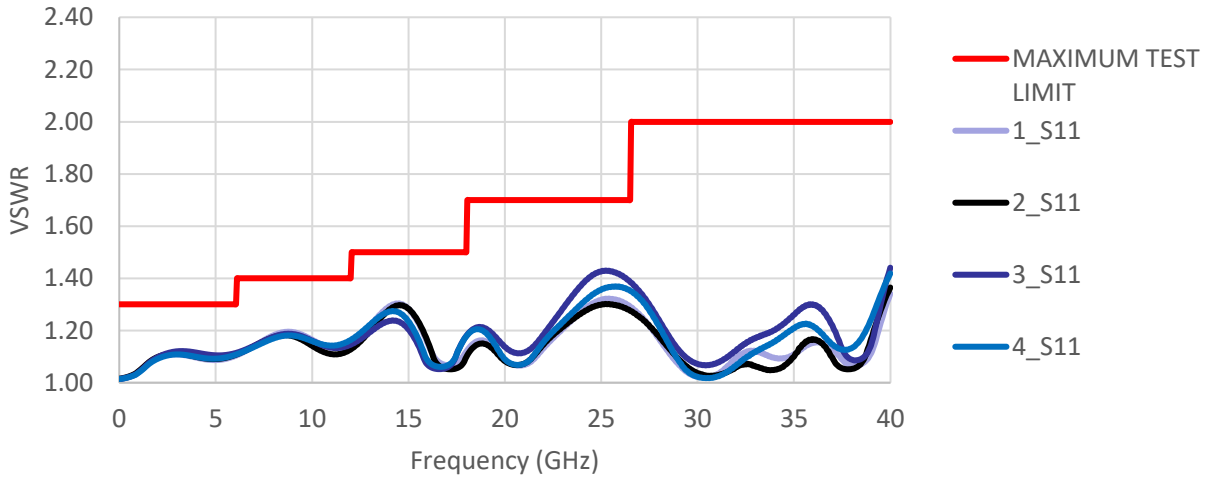
| 9 PIN D-SUB | | RF Connect Used |
|-------------|----------|-----------------|
| Pin NO | FUNCTION | DPDT |
| 1 | A1 | J1-J3,J2-J4 |
| 2 | NC | |
| 3 | -COM | |
| 4 | NC | |
| 5 | i1 | |
| 6 | i2 | |
| 7 | iCOM | |
| 8 | NC | |
| 9 | +VDC | |

标准型号 Outline Drawing:

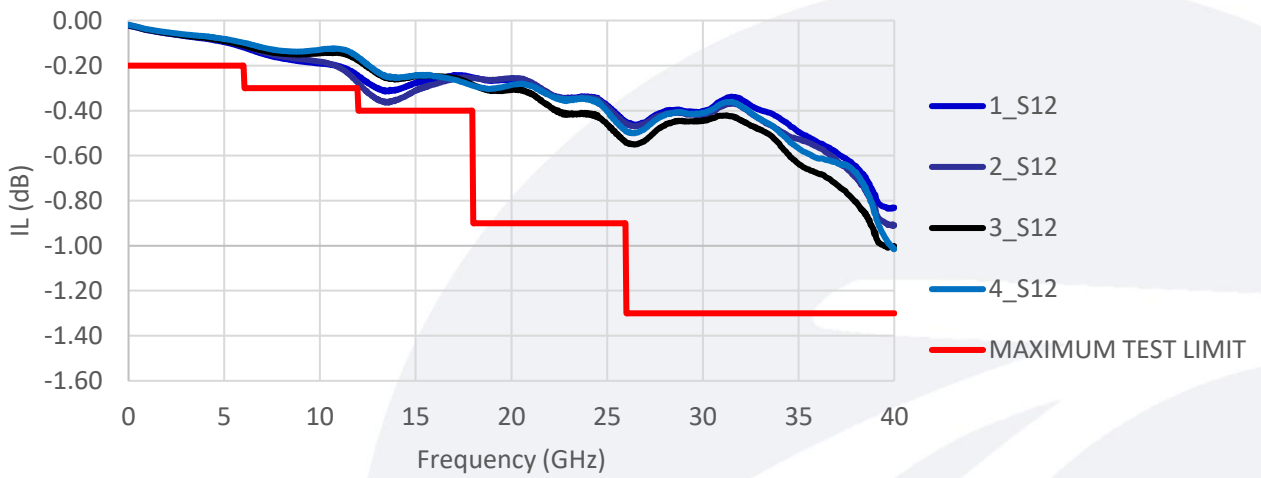
| 标准型号 Model | 驱动电压 Actuator voltage | 可选项 Option |
|----------------|--------------------------|-------------------|
| R22-KF12T40-DI | 12 V | -S(-55°C - +85°C) |
| R22-KF24T40-DI | 24 V | |
| R22-KF28T40-DI | 28 V | |

典型曲线 Typical Performance Data:

VSWR



INSERTION LOSS



ISOLATION

