

**Model:TLLA2G8G-32-11**
**Low Noise Amplifier**  
**2-8GHz, NF:0.8 dB, Gain:35 dB,P1dB:15dBm**
**Feature:**

- Ultra Wide Band: 2-8GHz
- Gain: 35 Typ
- Noise Figure: 0.8dB Typ
- Good Power and Gain Flatness
- 50 Ohm Matched Input / Output

**电气特性 Electrical:**

参数Parameter	Min.	Typ.	Max.	单位Units
频率范围 Frequency range	2-8			GHz
增益 Gain	32	35		dB
增益平坦度 Gain Flatness		±0.5	±1.3	dB
噪声系数 Noise Figure		0.8	1.1	dB
线性输出功率P1dB	13	15		dBm
饱和输出功率 Output Power Psat		16		dBm
三阶交调 IP3		25		dBm
输入驻波 Input VSWR		1.6	2.0	:1
输出驻波 Output VSWR		1.6	2.0	:1
直流电压 DC Voltage		+12		V DC
直流电流 DC Supply Current		100	130	mA
阻抗 Impedance	50			Ohms

**机械特性 Mechanical :**

参数Parameter	指标 Value	单位Units
输入输出接口Input /Output Connector	SMA Female (Removable)	
直流偏置 Bias	Solder Pin	
尺寸 Size	21.8*17*8	mm
重量 Weight	50	g

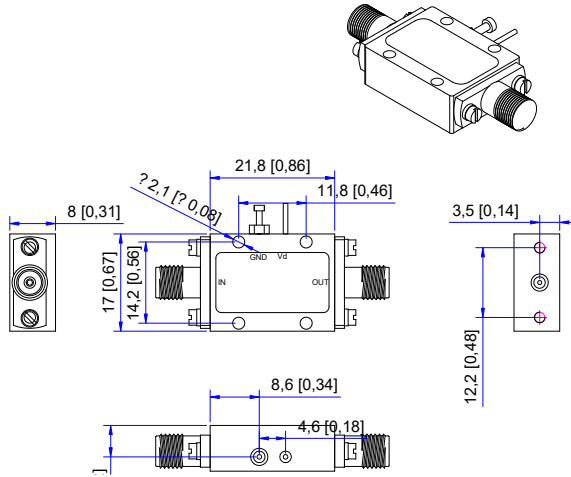

 Available 220V System  
 Benchtop Amplifier

**绝对最大值 Absolute Maximum Ratings:**

参数Parameter	指标 Value
供电偏置电压 Supply Bias Voltage	+14V
输入功率 RF Input Power	-5 dBm
ESD灵敏度 ESD sensitivity (HBm)	Class 0, passed 150V

**外形尺寸Outline Drawing:**

Unit: mm/inchs



**\*\*\*Heat Sink Required During Operation**



**温度环境 Environmental Conditions:**

参数Parameter	Min.	Typ.	Max.	单位Units
操作温度 Operating Temperature	-45		+85	°C
存储温度 Non-operating Temperature	-55		+125	°C
相对湿度 Relative humidity		95		%
海拔 Altitude	50,000			feet
震动 Shock / Vibration(MIL-STD-810F)	25g rms (15 degree 2KHz) endurance, 1 hour per axis			
冲击 Shock(non operating)	20G for 11msc half sin wave,3 axis both directions			

**订货信息 Ordering Information:**

标准型号 Part Number	描述 Description	版本号Revision
TLLA2G8G-32-11	Low Noise Amplifier, 2-8GHz, Noise Figure:0.8 dB, Gain:35 dB,P1dB:15dBm,12V DC,Without Heatsink	Rev.1.1
TLLA2G8G-32-11-HS	Low Noise Amplifier, 2-8GHz, Noise Figure:0.8 dB, Gain:35 dB,P1dB:15dBm,12V DC,With Heatsink	Rev.1.1