

SPDT Electromechanical Switch

Failsafe, DC to 12.4 GHz, N, Solder Pin

电气参数 Electrical Characteristics:

参数Parameter	条件Condition		
频率范围 Frequency Range	DC-12.4GHz		
阻抗 RF Impedance	50 Ohms		
开关模式 Operation Mode	Failsafe		
开关顺序 Switch Sequence	Break before make		
切换时间 Switching time	20 ms Max		
开关寿命 Standard Actuator Life	1million Min		
驱动电压 Actuator voltage Available	12	24	28 V
驱动电流 Actuator current	310	170	130 mA

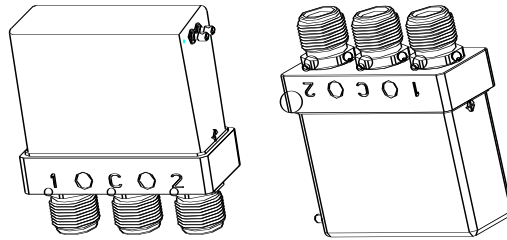
射频特性 RF Specifications:

频率范围 Frequency (GHz)	DC-2	2-4	4-12.4
插损 Insertion Loss (dB max.)	0.20	0.25	0.50
隔离 Isolation (dB min.)	80	80	60
驻波 VSWR (max.)	1.15:1	1.2:1	1.5:1
平均功率 RF Power CW (Watts max.)	220	170	100

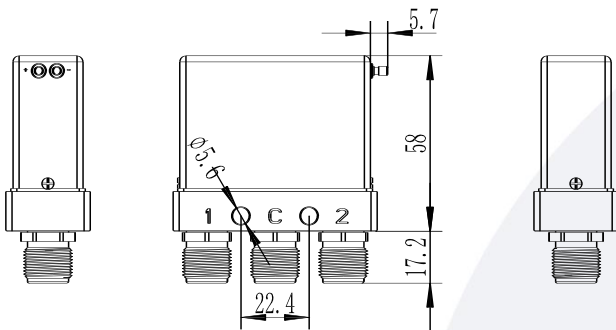
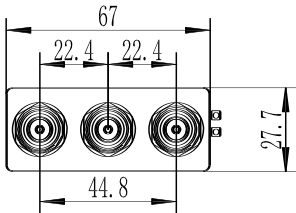
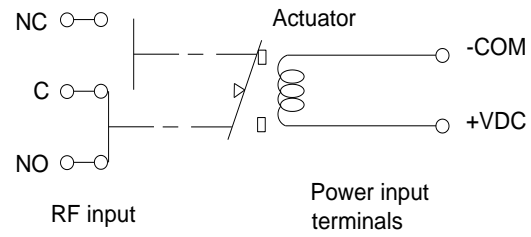
环境和物理特性 Environmental And Physical Characteristics:

参数Parameter	条件 Condition
操作温度 Operating Temperature	-25°C to +65°C(Standard) -55°C to +85°C(Optional)
震动 Vibration(operating)	10G RMS, 20-2000HZ
冲击 Shock(non operating)	50G, 1/2Sine, 12msec
射频接口 Connector Type	N Female
控制接口 Control Connector	Solder Pin
重量 Weight	260g Max

外形尺寸 Outline Drawing: mm



原理图 Schematic:



标准型号 Outline Drawing:

标准型号 Part Number	驱动电压 Actuator voltage	可选项 Option
R12-NF12012	12 V	-S(-55°C - +85°C)
R12-NF24012	24 V	
R12-NF28012	28 V	