

SPDT Electromechanical Switch

Pulse Latching, DC to 12.4 GHz, N, Solder Pin

电气参数 Electrical Characteristics:

参数Parameter	条件Condition		
频率范围 Frequency Range	DC-12.4GHz		
阻抗 RF Impedance	50 Ohms		
开关模式 Operation Mode	Pulse Latching		
开关顺序 Switch Sequence	Break before make		
切换时间 Switching time	20 ms Max		
开关寿命 Standard Actuator Life	1 million Min		
驱动电压 Actuator voltage Available	12	24	28 V
驱动电流 Actuator current	310	170	130 mA

射频特性 RF Specifications:

频率范围 Frequency (GHz)	DC-2	2-4	4-12.4
插损 Insertion Loss (dB max.)	0.20	0.25	0.50
隔离 Isolation (dB min.)	80	80	60
驻波 VSWR (max.)	1.15:1	1.2:1	1.5:1
平均功率 RF Power CW (Watts max.)	220	170	100

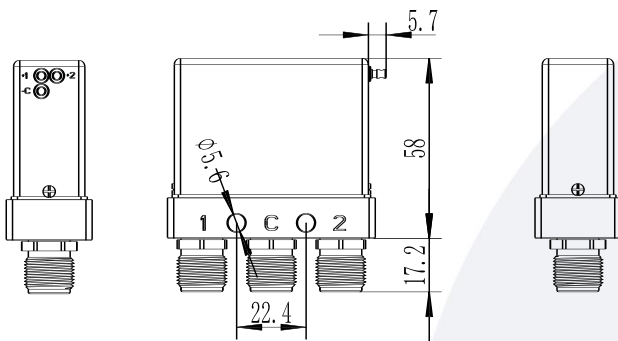
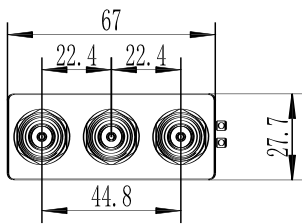
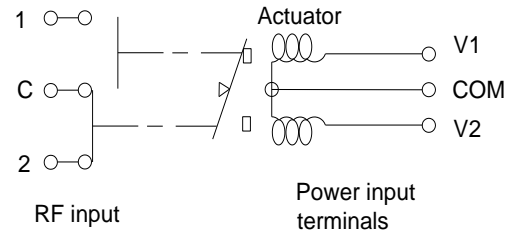
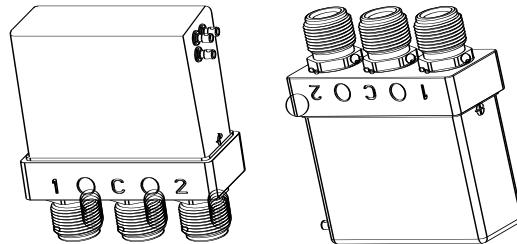
环境和物理特性 Environmental And Physical Characteristics:

参数Parameter	条件 Condition
操作温度 Operating Temperature	-25°C to +65°C (Standard) -55°C - +85°C (Optional)
震动 Vibration (operating)	10G RMS, 20-2000HZ
冲击 Shock (non operating)	50G, 1/2 Sine, 12msec
射频接口 Connector Type	N Female
控制接口 Control Connector	Solder Pin
重量 Weight	260g Max

外形尺寸 Outline Drawing:

原理图 Schematic:

Unit: Inch(mm)



标准型号 Outline Drawing:

标准型号 Part Number	驱动电压 Actuator voltage	可选项 Option
R12-NL12012	12 V	-S(-55°C - +85°C)
R12-NL24012	24 V	
R12-NL28012	28 V	