

Model:TLPA6G18G-30-34
Power Amplifier
6-18GHz,Gain:30dB,P1dB:33dBm
Feature :

- Ultra Wide Band: 6-18GHz
- Gain: 30 dB Min
- Psat Output Power: 34 dBm Min
- Good Power and Gain Flatness
- 50 Ohm Matched Input / Output

电气特性 Electrical:

参数Parameter	Min.	Typ.	Max.	单位Units
频率范围 Frequency range	6-18			GHz
增益 Gain	30			dB
增益平坦度 Gain Flatness		±1.5	±2.0	dB
线性输出功率Output P1dB	33			dB
饱和输出功率Output Psat	34			dBm
输入驻波 Input VSWR			2.2	:1
输出驻波 Output VSWR			2.2	:1
噪声系数 Noise Figure			7.5	dB
直流电压 DC Voltage		12		V DC
直流电流 DC Supply Current		2.4		A
阻抗 Impedance	50			Ohms

机械特性 Mechanical :

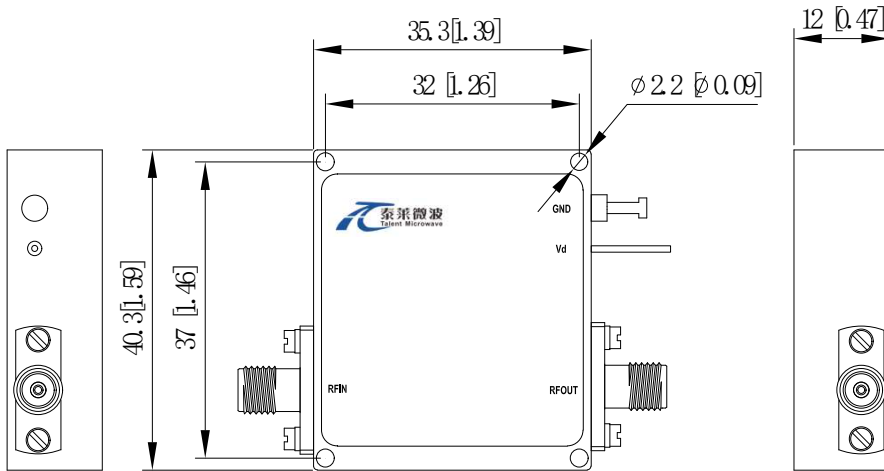
参数Parameter	指标 Value	单位Units
输入输出接口 Input /Output Connector	SMA Female	
直流偏置 Bias	Solder Pin	
尺寸 Size	35*40*12	mm
重量 Weight	50	g


绝对最大值 Absolute Maximum Ratings:

参数Parameter	指标 Value
供电偏置电压 Supply Bias Voltage	+15V
输入功率 RF INPUT POWER	/
ESD灵敏度 ESD sensitivity (HBm)	Class 0, passed 150V

外形尺寸 Outline Drawing:

Unit: mm(inches)



OBSERVE PRECAUTIONS
ELECTROSTATIC SENSITIVE
DEVICES

*****Heat Sink Required During Operation**

温度环境 Environmental Conditions:

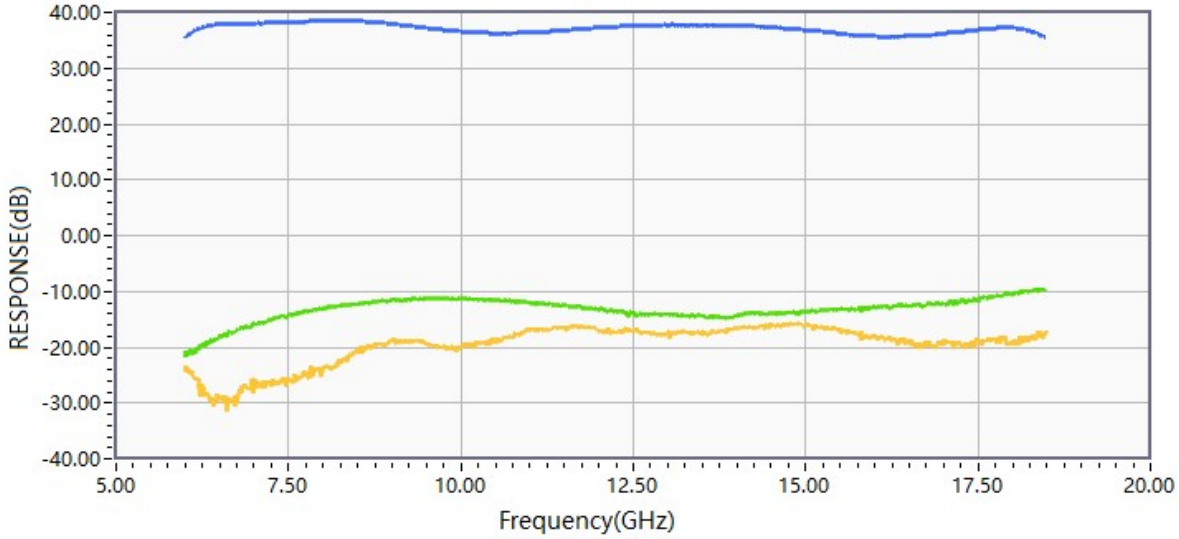
参数Parameter	Min.	Typ.	Max.	单位Units
操作温度 Operating Temperature	-45		+85	°C
存储温度 Non-operating Temperature	-55		+125	°C
相对湿度 Relative humidity		95		%
海拔 Altitude	50,000			feet
震动 Shock / Vibration(MIL-STD-810F)	25g rms (15 degree 2KHz) endurance, 1 hour per axis			
冲击 Shock(non operating)	20G for 11msc half sin wave,3 axis both directions			

订货信息 Ordering Information:

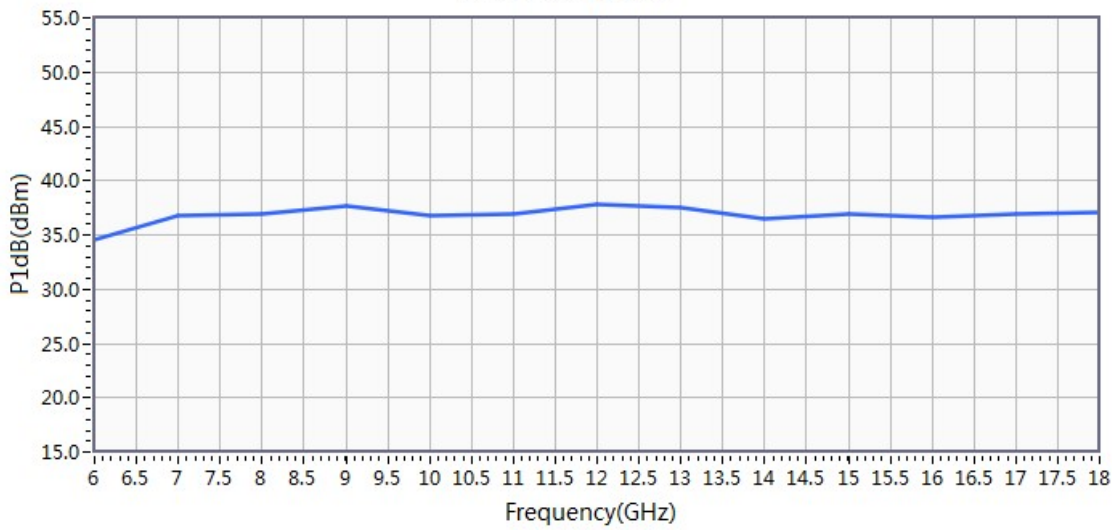
标准型号 Part Number	描述 Description	版本号Revision
TLPA6G18G-30-34	Power amplifier 6-18 GHz, Gain:30 dB, P1dB:33dBm, 12V DC, Without Heatsink	Rev.1.1
TLPA6G18G-30-34-HS	Power amplifier 6-18 GHz, Gain:30dB, P1dB:33dBm, 12V DC, With Heatsink	Rev.1.1

典型曲线 Typical Performance Data:

Gain&return loss



P1dB vs. Frequency



Gain vs. Pout

