

Model:TLPA6G12G-30-36
**Power Amplifier
 6-12GHz,Gain:30dB,P1dB:37dBm**
Feature:

- Ultra Wide Band: 6-12GHz
- Gain: 30dB Min
- Psat Output Power: 38 dBm Typ
- Good Power and Gain Flatness
- 50 Ohm Matched Input / Output

电气特性 Electrical:

参数Parameter	Min.	Typ.	Max.	单位Units
频率范围 Frequency range	6-12			GHz
增益 Gain	30			dB
增益平坦度 Gain Flatness		±1.5	±2.5	dB
线性输出功率P1dB	36	37		dBm
饱和输出功率 Psat		38		dBm
输入驻波 Input VSWR		1.5	2.0	:1
输出驻波 Output VSWR		1.5	2.0	:1
杂散Internally Generated Spurious		-60		dBc
噪声系数Noise Figure		6	8	dB
直流电压 DC Voltage		+12		V DC
直流电流 DC Current		2.3	2.5	A
阻抗 Impedance	50			Ohms

机械特性 Mechanical :

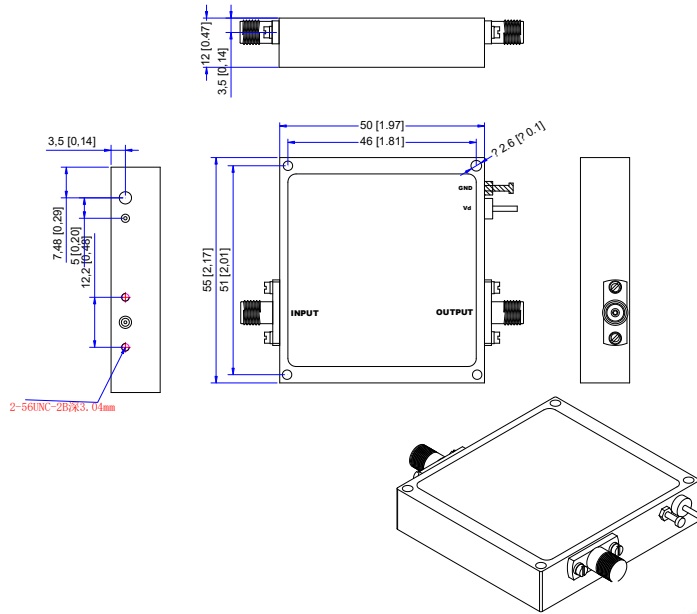
参数Parameter	指标 Value	单位Units
输入输出接口 Input /Output Connector	SMA Female	
直流偏置 Bias	Solder Pin	
尺寸 Size	85*50*12	mm
重量 Weight	300	g


绝对最大值 Absolute Maximum Ratings:

参数Parameter	指标 Value
供电偏置电压 Supply Bias Voltage	+12V
输入功率 RF INPUT POWER	+12dBm
ESD灵敏度 ESD sensitivity (HBm)	Class 0, passed 150V

外形尺寸Outline Drawing:

Unit: mm(inches)



*****Heat Sink Required During Operation**

温度环境 Environmental Conditions:

参数Parameter	Min.	Typ.	Max.	单位Units
操作温度 Operating Temperature	-35		+70	°C
存储温度 Non-operating Temperature	-55		+125	°C
相对湿度 Relative humidity	100%RH at 35°C, 95%RH at 40°C			%
海拔 Altitude	50,000			feet
震动 Shock / Vibration(MIL-STD-810F)	25g rms (15 degree 2KHz) endurance, 1 hour per axis			
冲击 Shock(non operating)	20G for 11msc half sin wave,3 axis both directions			

订货信息 Ordering Information:

标准型号 Part Number	描述 Description	版本号Revision
TLPA6G12G-30-36	Power amplifier 6-12GHz,Gain:30dB,P1dB:37dBm,12V DC, Without Heatsink	Rev.1.1
TLPA6G12G-30-36-HS	Power amplifier 6-12GHz,Gain:30dB,P1dB:37dBm,12V DC, With Heatsink	Rev.1.1

典型曲线 Typical Performance Data:

Gain&VSWR VS. Frequency

