

Part No.: TC-0460-20S

20dB Directional Coupler SMA-Female 50Ω 0.4-6 GHz

电气特性 Electrical:

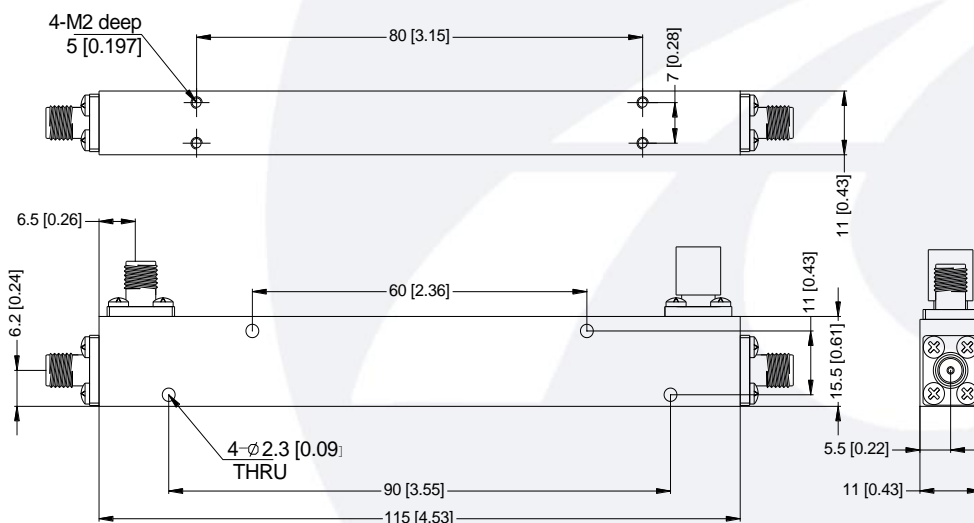
工作频率 Frequency Range: 0.4-6GHz
 耦合度 Coupling:: $20 \pm 1.5\text{db}$
 插入损耗 Insertion Loss: 0.8db typ, 1.0db max
 方向性 Directivity: $\geq 12\text{db}$
 驻波 VSWR: 1.5 max
 耐功率 Power Handling: 50 Watt
 阻抗 Impedance: 50 OHMS

机械特性 Mechanical:

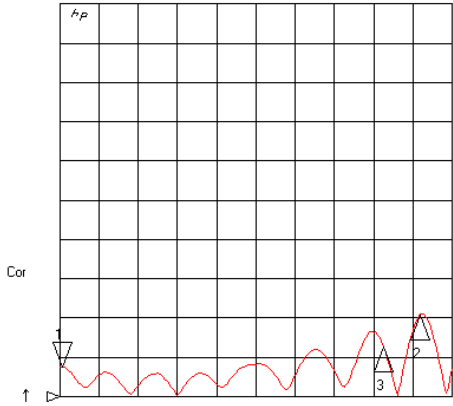
温度范围 Temperature Range: $-45^{\circ}\text{C} - +85^{\circ}\text{C}$
 接口 Connectors: SMA-Female
 相对湿度 Relative Humidity: 0 ~ 90%

外形尺寸 Outline Drawing:

Unit: mm



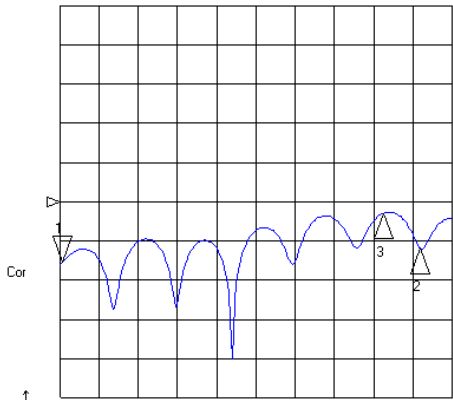
CH1 SWR 100 m / REF 1
S11 1 : 1.0758 .400 000 000 GHz



CH1 Markers
2 : 1.2075
6.00000 GHz
3 : 1.1271
5.42676 GHz

START 350.000 MHz STOP 6500.000 MHz

CH3 LOG 10 dB / REF -22 dB
MEM 1 : -37.229 dB .400 000 000 GHz

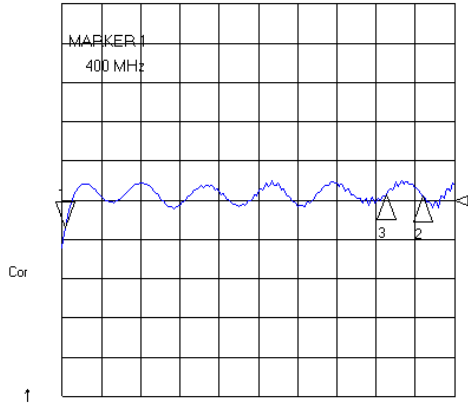


CH3 Markers
2 : -33.817 dB
6.00000 GHz
3 : -24.914 dB
5.42676 GHz

START 350.000 MHz STOP 6500.000 MHz
2002-1-1 01:25:55

20 Nov 2019 05:14:06

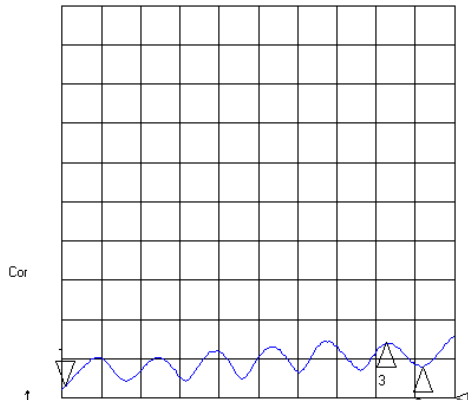
CH2 LOG 1.5 dB / REF -10 dB
S21 1 : -11.037 dB .400 000 000 GHz



CH2 Markers
2 : -9.8430 dB
6.00000 GHz
3 : -9.7840 dB
5.42676 GHz

START 350.000 MHz STOP 6500.000 MHz

CH4 SWR 100 m / REF 1
S22 1 : 1.0309 .400 000 000 GHz



CH4 Markers
2 : 1.0806
6.00000 GHz
3 : 1.1415
5.42676 GHz

START 350.000 MHz STOP 6500.000 MHz