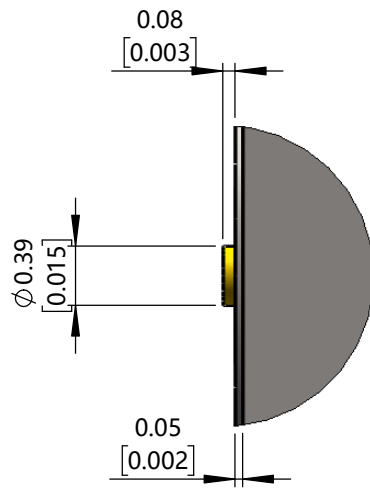
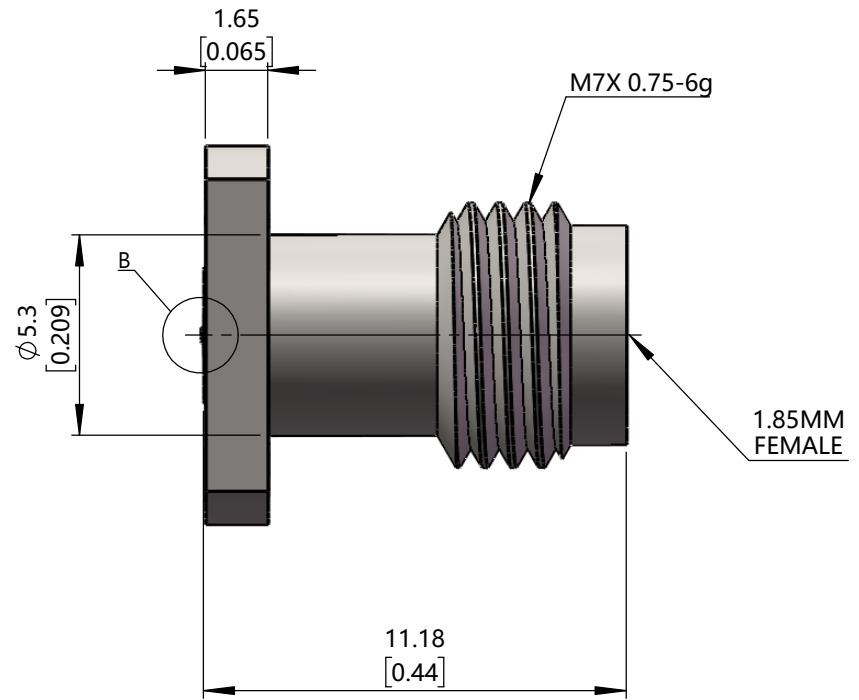
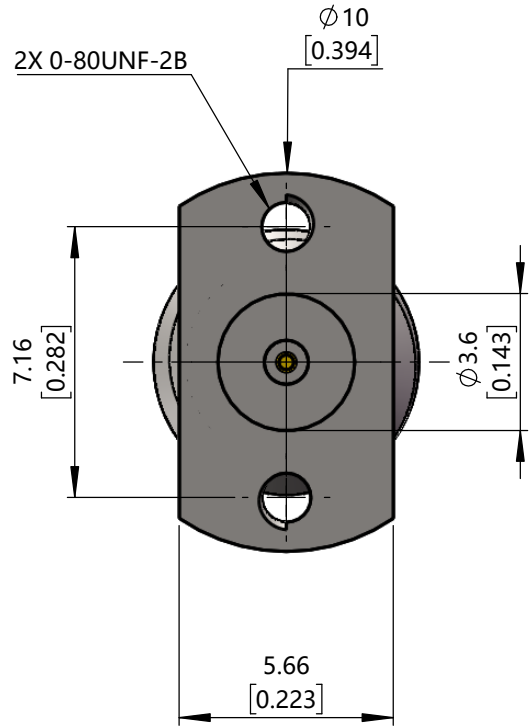


MODEL NO. TL18FD1351F09E



DETAIL B(20:1)

HOUSING:	SUS303
CONTACT:	BeCu C17300 GOLD PLATE
CAPTURE BEAD:	ULTEM
ITEM:	MATERIAL & FINISH
FREQUENCY:	DC:65GHz
VSWR:	1.4(MAX)

1. ALL DIMENSIONS ARE IN MILLIMETERS.
 ALL ANGLES ARE IN DEGREES.
 DIMENSIONS SHOWN IN BRACKETS [XXX] ARE IN INCHES .

NOTES: UNLESS OTHERWISE SPECIFIED.

REV. A	RELEASE REPLACES 1.0	APRVD: RedGreen	DATE: 2021/11/15	TITLE: 1.85MM CONNECTOR
				MODEL NO. TL18FD1351F09E
DRN BY: SIG	DATE: 2021/11/15	SCALE: 5:1	SHEET: 1 OF 1	REV: A