

Part No: TT25-6-N

DC-6 GHz, N, 25Watts

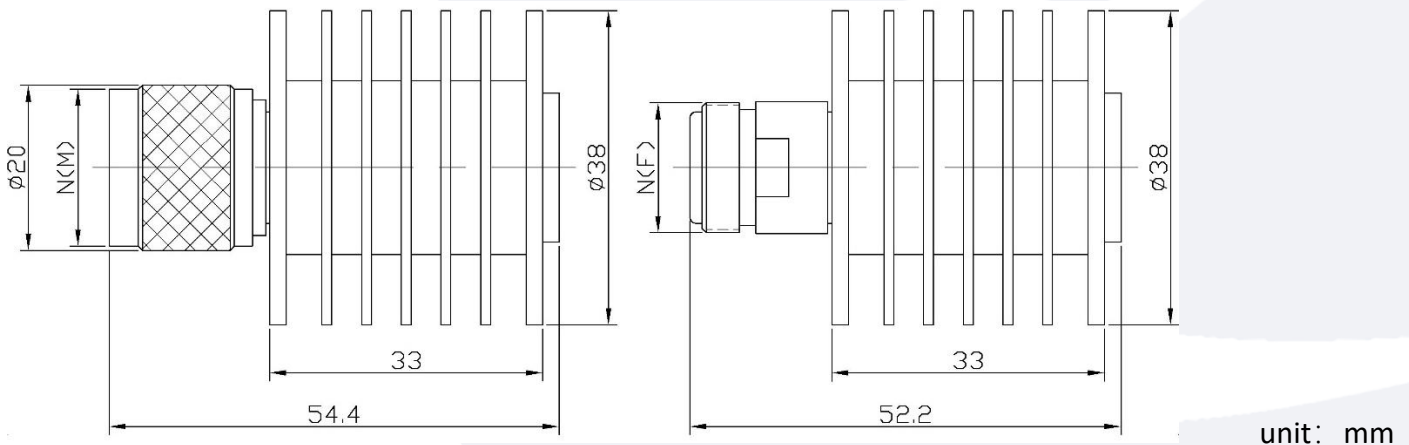
电气特性 ELECTRICAL

- **Frequency Range:** DC~6G
- **VSWR(:1) ReturnLoss (dB)**
 - DC~3G < 1.15 (-23.1)
 - DC~4G < 1.20 (-20.8)
 - DC~6G < 1.25 (-19.1)
- **Impedance** 50 Ohms
- **RF Power Rating** 25 Watts Average at 25°C

机械特性 MECHANICAL

- **Storage Temperature:** -55°C~100°C
- **Body Material:** Black, Finned Aluminum
- **Center conductor:** Gold-plated, Phosphor bronze
- **Connectors:** N Male/Female, Nickel plated Brass
- **Weight:** 80 g

外形尺寸 Outline Drawing



unit: mm

