

**Model:TLPA100M1000M-35-45**
**Power Amplifier**
**100MHz-1000MHz, Gain:35dB, Psat:45dBm**
**Feature:**

- Ultra Wide Band: 100MHz-1000MHz
- Gain: 35dB Min
- Psat Output Power: 45 dBm Typ
- Good Power and Gain Flatness
- 50 Ohm Matched Input / Output

**电气特性 Electrical:**

参数Parameter	Min.	Typ.	Max.	单位Units
频率范围 Frequency range	100-1000			MHz
增益 Gain	35	38		dB
增益平坦度 Gain Flatness		±1.5	±2	dB
线性输出功率P1dB	42	43		dBm
饱和输出功率Psat	45	46		dBm
输入驻波 Input VSWR		1.5	2.0	:1
输出驻波 Onput VSWR		1.5	2.0	:1
直流电压 DC Voltage		28		V DC
直流电流 DC Supply Current		1	12	A
阻抗 Impedance	50			Ohms

**机械特性 Mechanical :**

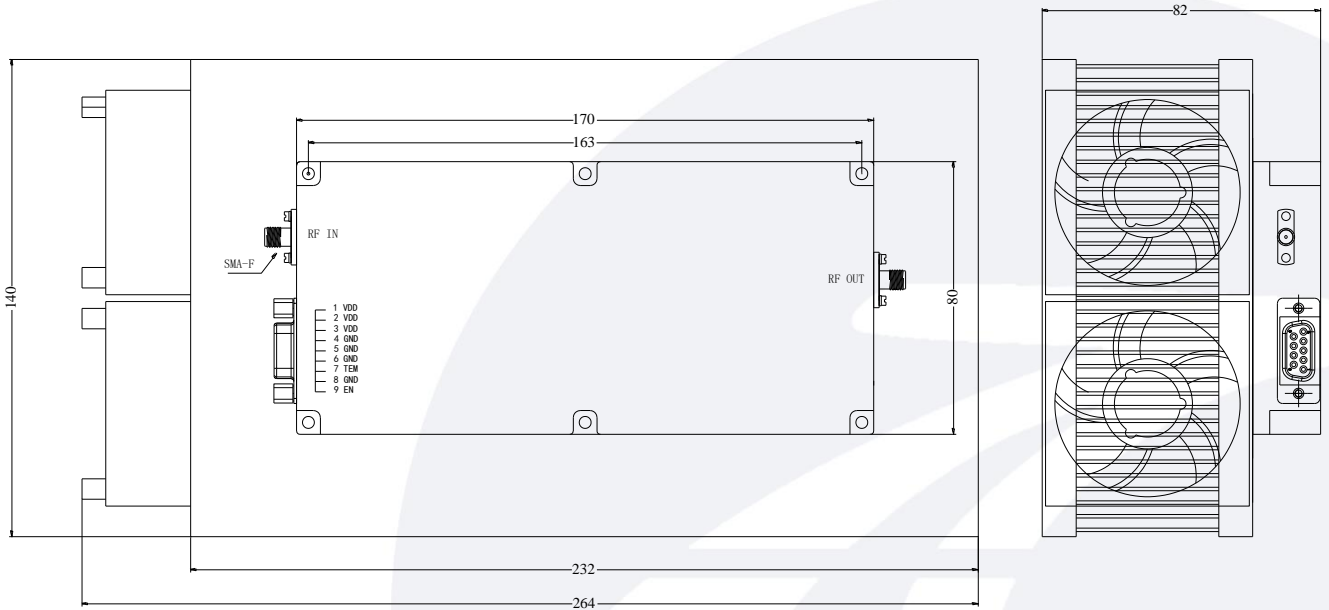
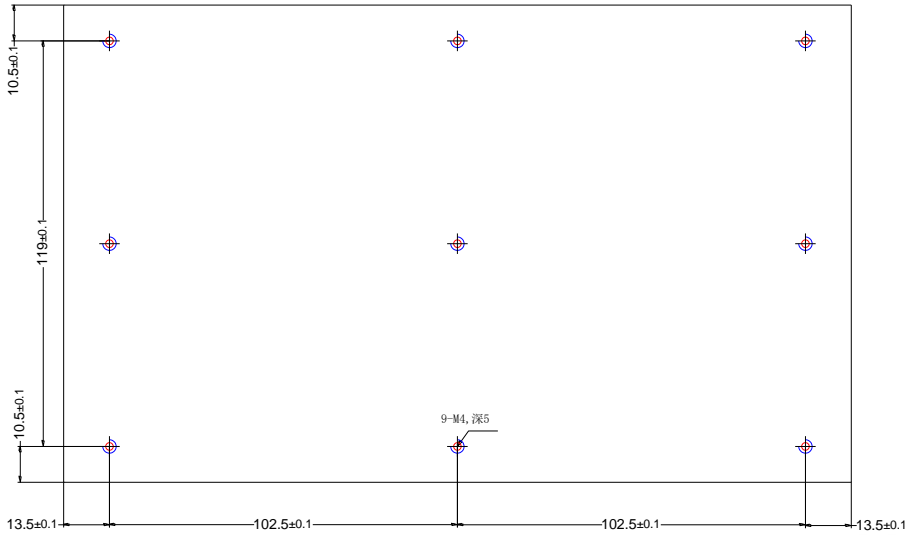
参数Parameter	指标 Value	单位Units
输入输出接口 Input /Output Connector	SMA Female	
直流偏置 Bias	D-SUB-9	
尺寸 Size	170X80X20	mm
重量 Weight	200	g


**绝对最大值 Absolute Maximum Ratings:**

参数Parameter	指标 Value
供电偏置电压 Supply Bias Voltage	30
输入功率 RF INPUT POWER	16 dBm
ESD灵敏度 ESD sensitivity (HBm)	Class 0, passed 150V

外形尺寸 Outline Drawing:

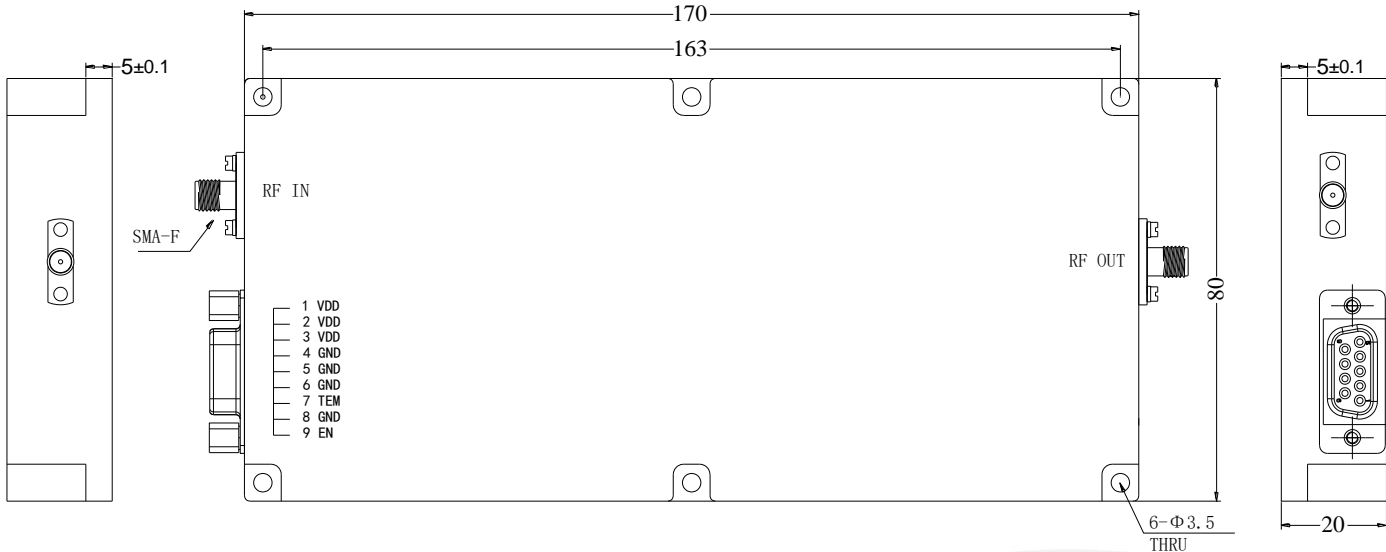
Unit: mm



风扇供电 Fans Supply Current: 0.4A@24V

外形尺寸 Outline Drawing:

Unit: mm



**\*\*\*Heat Sink Required During Operation**



OBSERVE PRECAUTIONS  
ELECTROSTATIC SENSITIVE  
DEVICES

温度环境 Environmental Conditions:

参数Parameter	Min.	Typ.	Max.	单位Units
操作温度 Operating Temperature	-45		+85	°C
存储温度 Non-operating Temperature	-55		+125	°C
相对湿度 Relative humidity		95		%
海拔 Altitude	30,000			feet
震动 Shock / Vibration(MIL-STD-810F)	25g rms (15 degree 2KHz) endurance, 1 hour per axis			
冲击 Shock(non operating)	20G for 11msc half sin wave,3 axis both directions			

订货信息 Ordering Information:

标准型号 Part Number	描述 Description	版本号Revision
TLPA100M1000M-35-45	Power amplifier 100MHz-1000MHz, Gain:35dB, Psat:45dBm, 28V DC, Without Heatsink	Rev.1.0
TLPA100M1000M-35-45-HS	Power amplifier 100MHz-1000MHz, Gain:35dB, Psat:45dBm, 28V DC, With Heatsink	Rev.1.0