

**Part No.: TC-180400-30K**

**30dB Directional Coupler 2.92 Female 50Ω 18-40 GHz**

**电气特性 Electrical:**

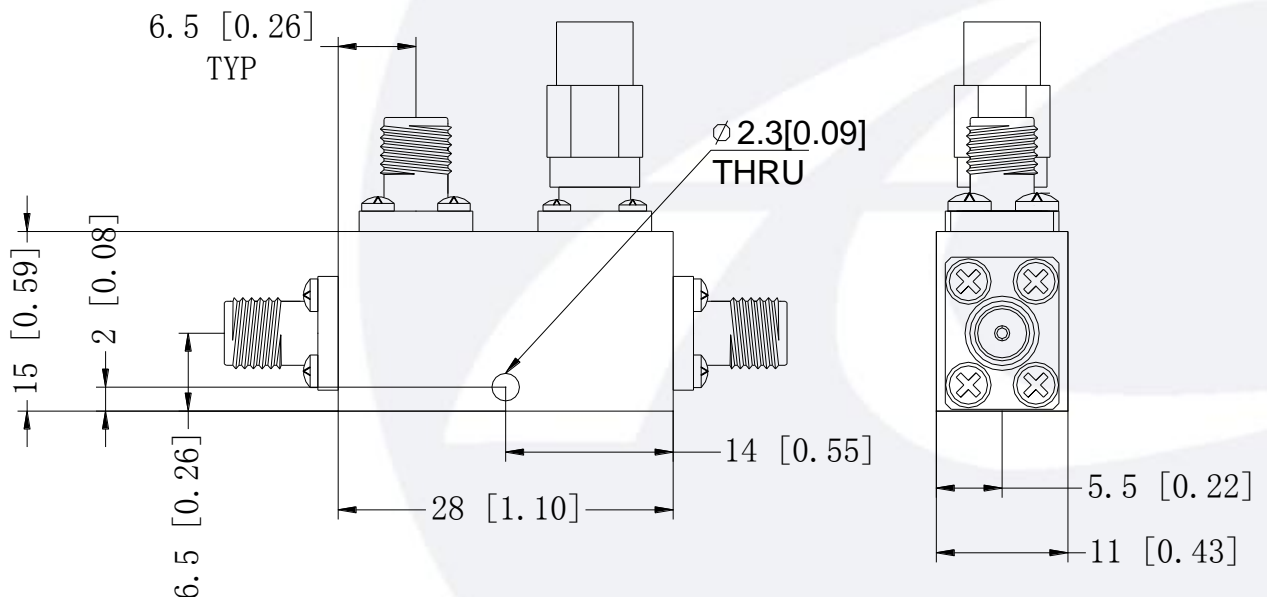
工作频率 Frequency Range: 18-40 GHz  
 耦合度 Coupling:: 30± 1.0 db  
 插入损耗 Insertion Loss: 1.0db typ, 1.2db max  
 方向性 Directivity: : 12db typ, 10db min  
 驻波 VSWR: 1.7 max  
 耐功率 Power Handling: 30 Watt  
 阻抗 Impedance: 50 OHMS

**机械特性 Mechanical:**

温度范围 Temperature Range: -45° C - +85° C  
 接口 Connectors: 2.92-Female  
 相对湿度 Relative Humidity: 0 ~ 90%

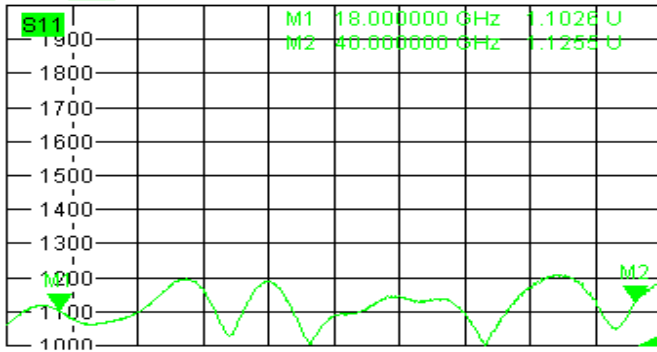
**外形尺寸 Outline Drawing:**

Unit: mm



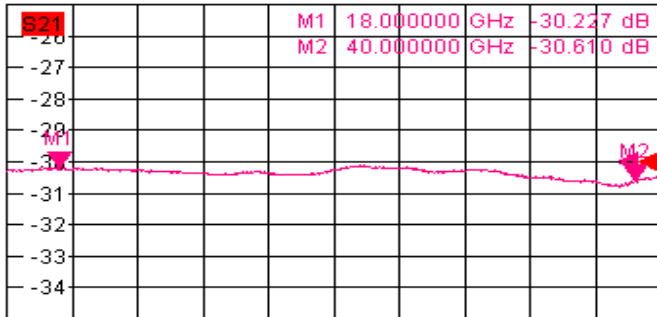


Trc1 **S11** SWR 100 mU/ Ref1 U Cal 1



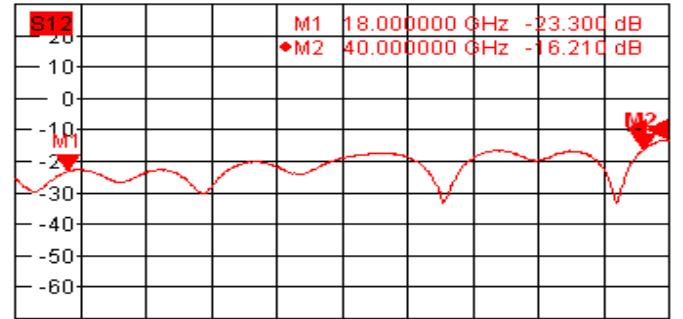
Ch1 fb Start 16 GHz Pb 0 dBm Stop 41 GHz

Trc3 **S21** dB Mag 1 dB / Ref -30 dB Invisible 3  
Mem6[Trc3] **S21** dB Mag 1 dB / Ref -30 dB



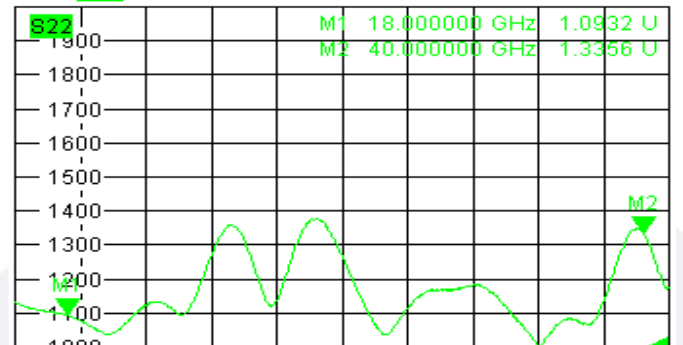
Ch1 fb Start 16 GHz Pb 0 dBm Stop 41 GHz

Trc2 **S12** dB Mag 10 dB / Ref -10 dB Cal Math 2  
Mem5[Trc2] **S12** dB Mag 10 dB / Ref -10 dB Invisible



Ch1 fb Start 16 GHz Pb 0 dBm Stop 41 GHz

Trc4 **S22** SWR 100 mU/ Ref1 U Cal 4



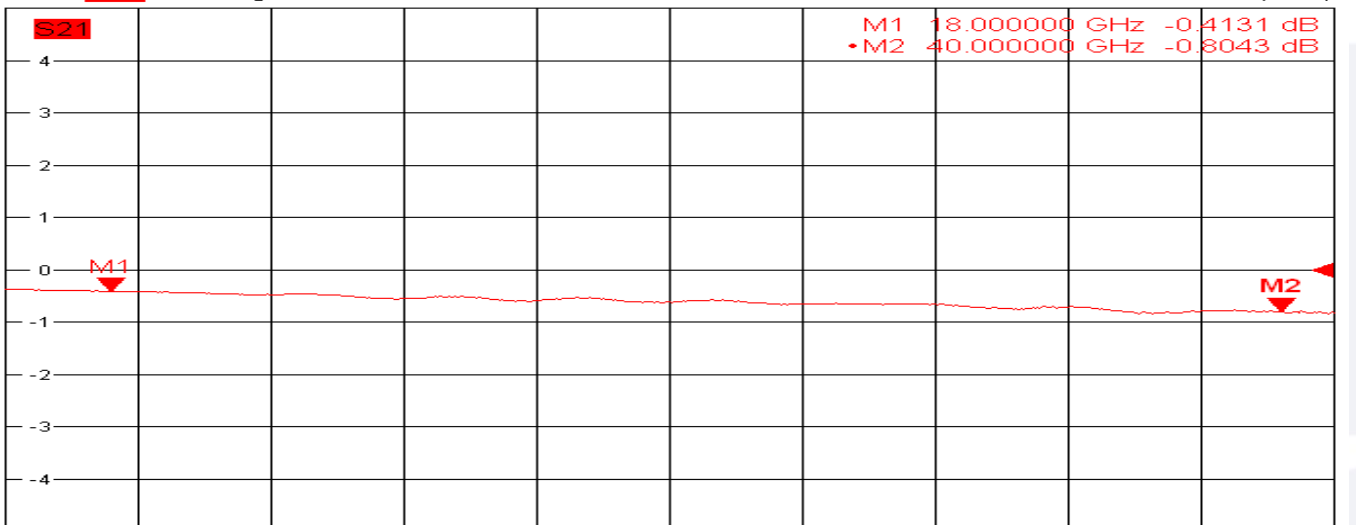
Ch1 fb Start 16 GHz Pb 0 dBm Stop 41 GHz

9/5/2019, 5:44 AM



Trc3 **S21** dB Mag 1 dB / Ref 0 dB Cal

3 (Max)



Ch1 fb Start 16 GHz

Pb 0 dBm

Stop 41 GHz

9/5/2019, 5:46 AM