

Part No: TDCBVFVF-2

5MHz-67GHz,60V,1.85mm Female-Female DC Block

电气特性 Electrical:

工作频率 Frequency:	5MHz-67GHz
插损 Insertion Loss:	0.7 dBMax
驻波 VSWR:	1.3Max
工作电压 DC Voltage:	60 VOLTS
阻抗 Impedance:	50 OHMS

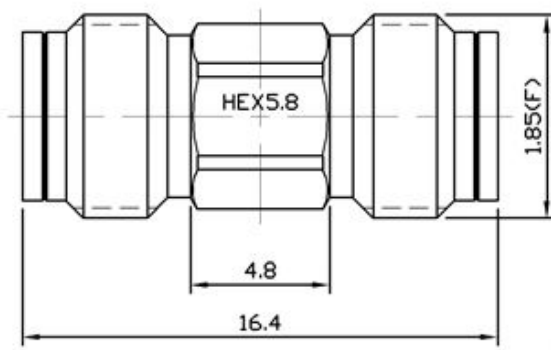


机械特性 Mechanical:

操作温度 Operation Temperature:	-55~+165°C
存储温度 Storage Temperature:	-55~+165°C
壳体 Body Material:	Stainless Steel 303
内导体 Center conductor:	Becu, Golden
接口 Connectors:	1.85mm Female to Female
相对湿度 Relative Humidity:	0 ~ 90%

外形尺寸 Outline Drawing:

Unit: mm



测试曲线 (Test Curve)

