

**Model:TLPA0.5G6G-43-43-BC**
**Solid State High Power Amplifier Systems  
 0.5-6GHz,Gain:43dB,Psat:43dBm,220V AC**
**Feature:**

- Ultra Wide Band: 0.5-6GHz
- Gain: 43dB Min
- Psat Output Power: 43dBm Min
- Protection:Over TEM,over voltage, over current ,over reflection protection.
- 50 Ohm Matched Input / Output

**电气特性 Electrical:**

参数Parameter	代码Symbol	Min.	Typ.	Max.	单位Units
频率范围 Frequency range	BW	0.5-6			GHz
增益 Power Gain	Gp	43	45		dB
增益平坦度Gain flatness	$\Delta$ GL		$\pm$ 3.5		dB
饱和输出功率 Psat	Psat	43	44		dBm
输入功率 Input Power	Pin		0	10	dBm
杂散 Non-Harmonic Spurious	Spur	50			dBc
谐波 Harmonics@Pout=53dB	HAM	10			dBc
输入驻波 Input VSWR	VSWRin			2.0	:1
交流电压 AC Voltage	Vac	220			V AC
阻抗 Impedance	I/O-IMP	50			Ohms

**机械特性 Mechanical :**

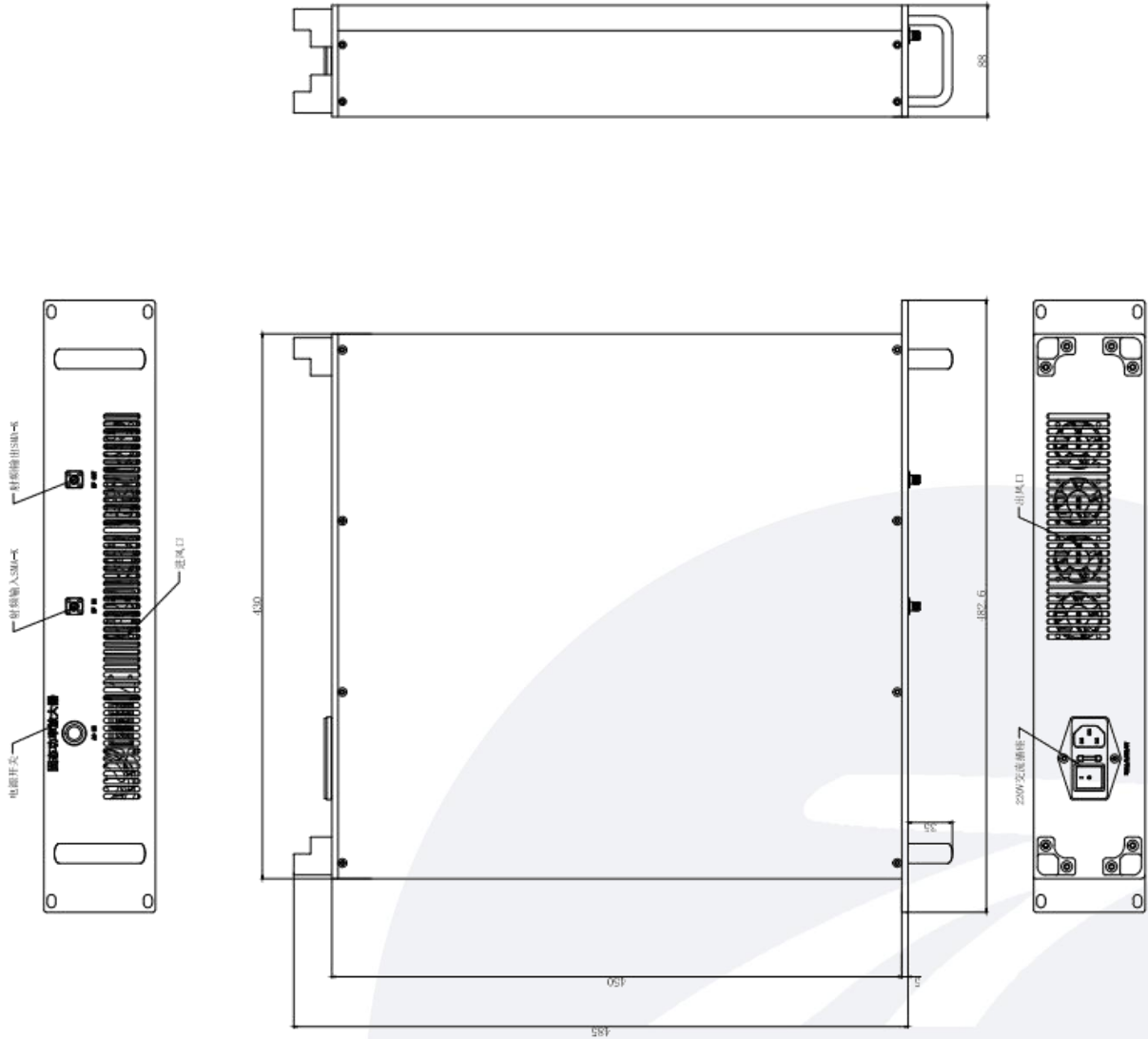
参数Parameter	指标 Value	单位Units
输入输出接口Input /Output Connector	SMA-F/SMA-F	
通信接口Communication Interfaces	/	
尺寸 Size	/	
重量 Weight	/	Kg

**绝对最大值 Absolute Maximum Ratings:**

参数Parameter	指标 Value
输入功率 RF INPUT POWER	10 dBm
ESD灵敏度 ESD sensitivity (HBm)	Class 0, passed 150V

外形尺寸Outline Drawing:

Unit: mm(Inches)



**温度环境 Environmental Conditions:**

参数Parameter	Min.	Typ.	Max.	单位Units
操作温度 Operating Temperature	-40		+75	°C
存储温度 Non-operating Temperature	-55		+125	°C
相对湿度 Relative humidity		95		%
海拔 Altitude	50,000			feet
震动 Shock / Vibration(MIL-STD-810F)	25g rms (15 degree 2KHz) endurance, 1 hour per axis			
冲击 Shock(non operating)	20G for 11msc half sin wave,3 axis both directions			

**订货信息 Ordering Information:**

标准型号 Part Number	描述 Description	版本号Revision
TLPA0.5G6G-43-43-BC	Solid State High Power Amplifier Systems, 0.5-6GHz,Gain:43dB,Psat:43dBm,220V AC	Rev.1.0