

Model: TLPA0.5G6G-40-40-BC
**Solid State High Power Amplifier Systems
 0.5-6GHz, Gain: 40dB, Psat: 40dBm, 220V AC**
Feature:

- Ultra Wide Band: 0.5-6GHz
- Gain: 40dB Min
- Psat Output Power: 40dBm Min
- Protection: Over TEM, over voltage, over current, over reflection protection.
- 50 Ohm Matched Input / Output

电气特性 Electrical:

参数Parameter	代码Symbol	Min.	Typ.	Max.	单位Units
频率范围 Frequency range	BW	0.5-6			GHz
增益 Power Gain	Gp	40			dB
增益平坦度 Gain flatness	ΔGL		± 3.5		dB
饱和输出功率 Psat	Psat	40			dBm
输入功率 Input Power	Pin		0	10	dBm
杂散 Non-Harmonic Spurious	Spur	60			dBc
谐波 Harmonics@Pout=53dB	HAM	10			dBc
输入驻波 Input VSWR	VSWRin			2.0	:1
交流电压 AC Voltage	Vac	220/50Hz			V AC
功耗 Power Consumptio	Pdiss			150	W
阻抗 Impedance	I/O-IMP	50			Ohms

机械特性 Mechanical :

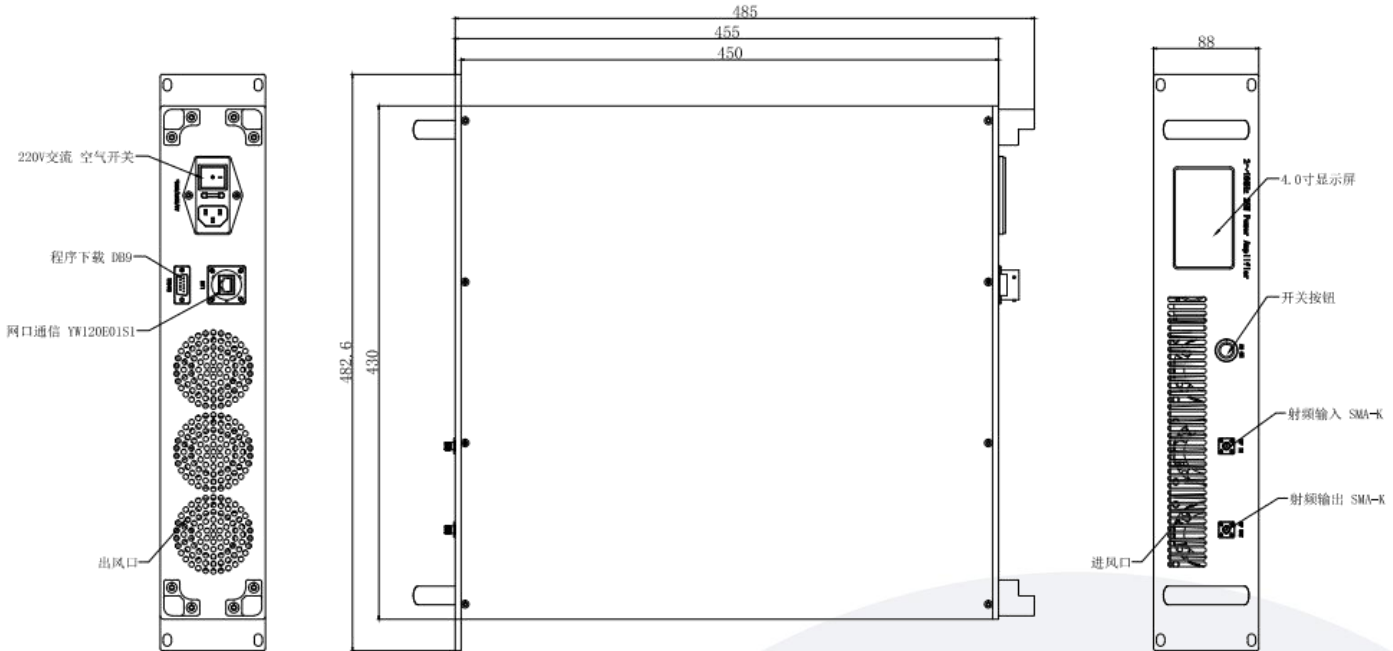
参数Parameter	指标 Value	单位Units
输入输出接口 Input /Output Connector	SMA-K/SMA-K	
通信接口 Communication Interfaces	RJ45/DB9	
尺寸 Size	19 Inch 2U	
重量 Weight	20	Kg

绝对最大值 Absolute Maximum Ratings:

参数Parameter	指标 Value
输入功率 RF INPUT POWER	10 dBm
ESD灵敏度 ESD sensitivity (HBm)	Class 0, passed 150V

外形尺寸 Outline Drawing:

Unit: mm(Inches)



主要功能 Key Features:

参数 Parameter	特点 Advantages
控制 Control	RS422/LAN, LCD Screen Display
显示功能 Display functions	With output power display functions
内置保护功能 Protection functions	1, Over TEM 2, Over voltage 3, Over current protection 4, Over reflection protection
冷却系统 Cooling system	Front to back forced air cooling fans makes this ideal for usage in test equipment racks

温度环境 Environmental Conditions:

参数Parameter	Min.	Typ.	Max.	单位Units
操作温度 Operating Temperature	-20		+50	°C
存储温度 Non-operating Temperature	-45		+65	°C
相对湿度 Relative humidity		95		%
海拔 Altitude	50,000			feet
震动 Shock / Vibration(MIL-STD-810F)	25g rms (15 degree 2KHz) endurance, 1 hour per axis			
冲击 Shock(non operating)	20G for 11msc half sin wave,3 axis both directions			

订货信息 Ordering Information:

标准型号 Part Number	描述 Description	版本号Revision
TLPA0.5G6G-40-40-BC	Solid State High Power Amplifier Systems, 0.5-6GHz,Gain:40dB,Psat:40dBm,220V AC	Rev.1.0