

Model:TLPA0.38G6G-30-37
Power Amplifier
0.38-6GHz, Gain:35dB, Psat:35dBm
Feature:

- Ultra Wide Band: 0.38-6GHz
- Gain: 35dB Min
- Psat Output Power: 37dBm Min
- Good Power and Gain Flatness
- 50 Ohm Matched Input / Output

电气特性 Electrical:

参数Parameter	Min.	Typ.	Max.	单位Units
频率范围 Frequency range	0.38-6			MHz
小信号增益 Gain	35			dB
增益平坦度 Gain Flatness		±2.5	±4.0	dB
线性输出功率P1dB		35		dBm
饱和输出功率Psat	37			dBm
杂散 Spurious		-60		dBc
谐波 Harmonic Rejecion		15		dBc
输入驻波 Input VSWR		1.5	2.5	:1
直流电压 DC Voltage		+30		V DC
直流电流 DC Supply Current		2		A
阻抗 Impedance		50		Ohms

机械特性 Mechanical :

参数Parameter	指标 Value	单位 Units
输入输出接口 Input /Output Connector	SMA-Female/SMA-Female	
直流偏置 Bias	Solder Pin	
尺寸 Size	100X70X15	mm
重量 Weight	/	g

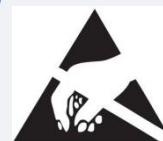
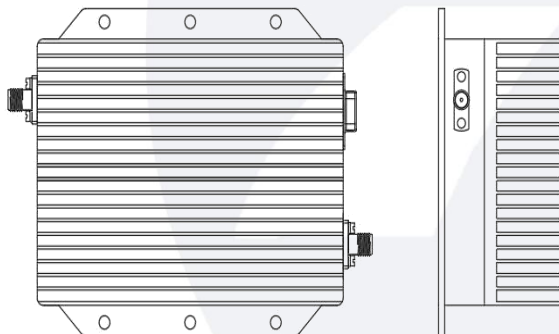
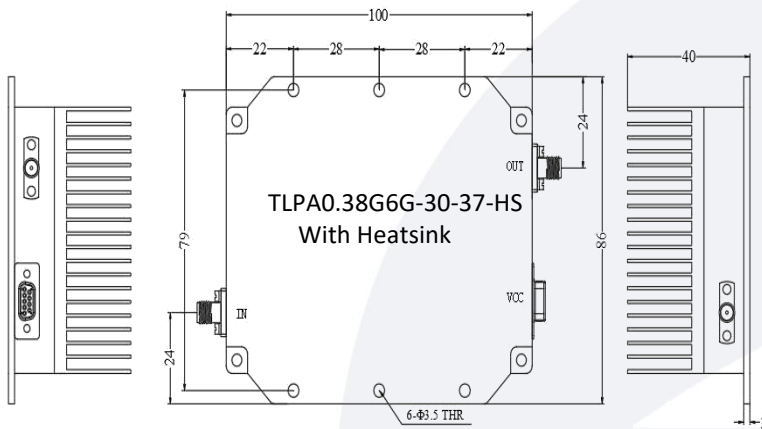
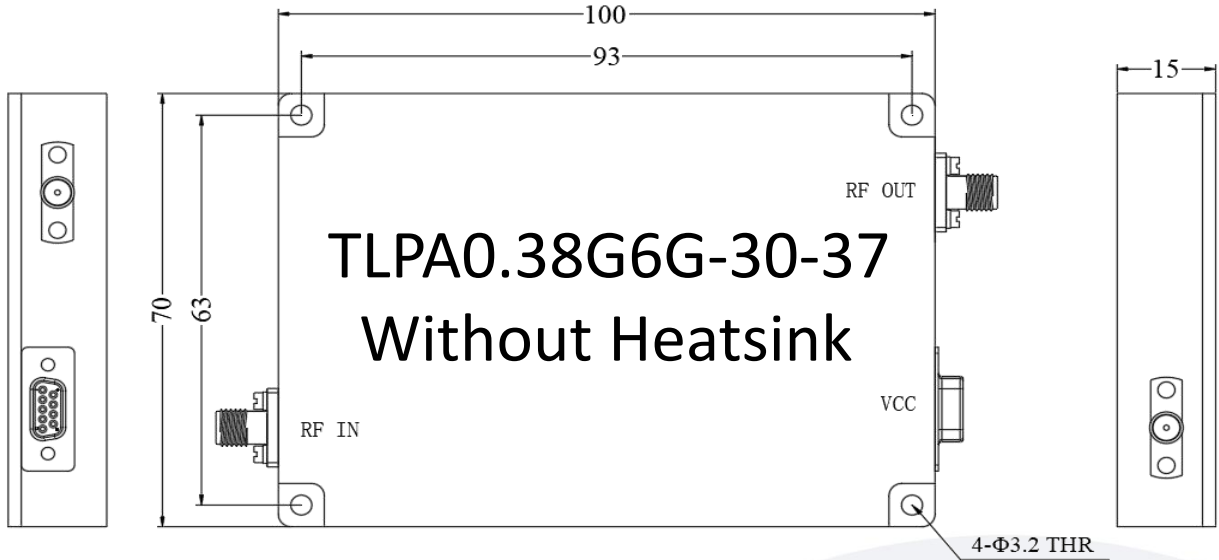

 Available 220V System
 Benchtop Amplifier

绝对最大值 Absolute Maximum Ratings:

参数Parameter	指标 Value
供电偏置电压 Supply Bias Voltage	+32V
输入功率 RF INPUT POWER	+8 dBm
ESD灵敏度 ESD sensitivity (HBm)	Class 0, passed 150V

外形尺寸 Outline Drawing:

Unit: mm(Inches)



OBSERVE PRECAUTIONS
ELECTROSTATIC SENSITIVE
DEVICES

温度环境 Environmental Conditions:

参数Parameter	Min.	Typ.	Max.	单位Units
操作温度 Operating Temperature	-30		+70	°C
存储温度 Non-operating Temperature	-45		+85	°C
相对湿度 Relative humidity	100%RH at 35°C, 95%RH at 40°C			%
海拔 Altitude	50,000			feet
震动 Shock / Vibration(MIL-STD-810F)	25g rms (15 degree 2KHz) endurance, 1 hour per axis			
冲击 Shock(non operating)	20G for 11msc half sin wave, 3 axis both directions			

订货信息 Ordering Information:

标准型号 Part Number	描述 Description	版本号Revision
TLPA0.38G6G-30-37	Poweramplifier ,0.386GHz, Gain:35dB, P1dB:35dBm, Psat:37dBm, 30V DC, Without Heatsink	Rev.1.1
TLPA0.38G6G-30-37-HS	Poweramplifier ,0.386GHz, Gain:35dB, P1dB:35dBm, Psat:37dBm, 30V DC, With Heatsink	Rev.1.1