

**Model: TLLA6G18G-41-40**
**Low Noise Amplifier**  
**6-18GHz, NF:4.0dB, Gain:41dB, P1dB:28dBm**
**Feature:**

- Ultra Wide Band: 6-18GHz
- Gain: 41dB Min
- Noise Figure: 4.0dB Max
- Good Power and Gain Flatness
- 50 Ohm Matched Input / Output

**电气特性 Electrical:**

| 参数Parameter            | Min. | Typ. | Max. | 单位Units |
|------------------------|------|------|------|---------|
| 频率范围 Frequency range   | 6-18 |      |      | GHz     |
| 增益 Gain                | 41   | 43   |      | dB      |
| 增益平坦度 Gain Flatness    |      | ±1.5 | ±2   | dB      |
| 噪声系数 Noise Figure      |      | 3    | 4    | dB      |
| 线性输出功率 P1dB            | 26   | 28   |      | dBm     |
| 饱和输出功率 PSat            |      | 29   |      | dBm     |
| 输入功率 Input Power       |      | 5    |      | dBm     |
| 输入驻波 Input VSWR        |      | 1.6  |      | :1      |
| 输出驻波 Output VSWR       |      | 1.8  |      | :1      |
| 直流电压 DC Voltage        |      | +15  |      | V DC    |
| 直流电流 DC Supply Current |      | 520  |      | mA      |
| 阻抗 Impedance           | 50   |      |      | Ohms    |

**机械特性 Mechanical :**

| 参数Parameter                    | 指标 Value   | 单位Units |
|--------------------------------|------------|---------|
| 输入输出接口 Input /Output Connector | SMA Female |         |
| 直流偏置 Bias                      | Solder Pin |         |
| 尺寸 Size                        | 44*52*13   | mm      |
| 重量 Weight                      | /          | g       |

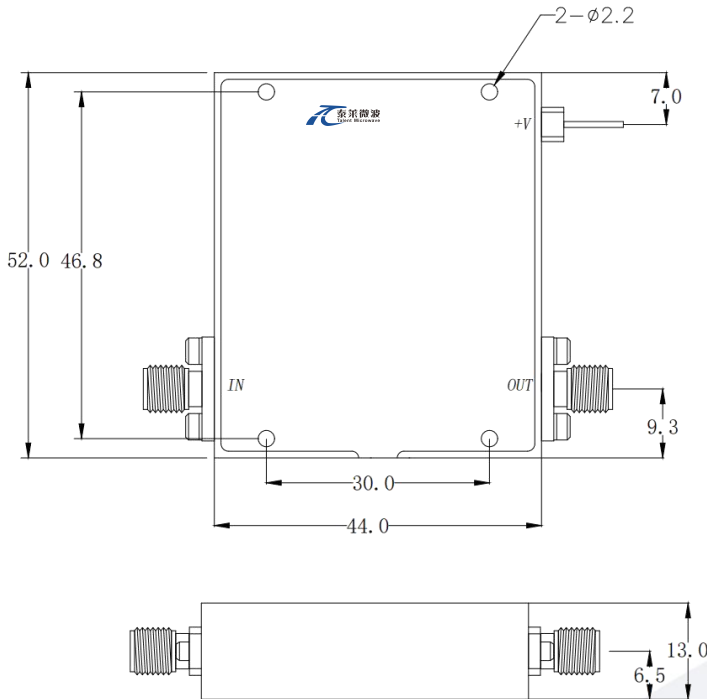

 Available 220V System  
 Benchtop Amplifier

**绝对最大值 Absolute Maximum Ratings:**

| 参数Parameter                  | 指标 Value             |
|------------------------------|----------------------|
| 供电偏置电压 Supply Bias Voltage   | +15V                 |
| 输入功率 RF INPUT POWER          | 5 dBm                |
| ESD灵敏度 ESD sensitivity (HBm) | Class 0, passed 150V |

**外形尺寸 Outline Drawing:**

Unit: mm



**温度环境 Environmental Conditions:**

| 参数Parameter                        | Min.  | Typ. | Max. | 单位Units |
|------------------------------------|---|------|------|---------|
| 操作温度 Operating Temperature         | -40   |      | +60  | °C      |
| 存储温度 Non-operating Temperature     | -55   |      | +125 | °C      |
| 相对湿度 Relative humidity             |   | 95   |      | %       |
| 海拔 Altitude                        | 50,000  |      |      | feet    |
| 震动 Shock / Vibration(MIL-STD-810F) | 25g rms (15 degree 2KHz) endurance, 1 hour per axis |      |      |         |
| 冲击 Shock(non operating)            | 20G for 11msc half sin wave,3 axis both directions  |      |      |         |

**订货信息 Ordering Information:**

| 标准型号 Part Number | 描述 Description   | 版本号Revision |
|------------------|--|-------------|
| TLLA6G18G-41-40  | Low Noise Amplifier, 6-18GHz, Noise Figure:4.0dB, Gain:41dB,P1dB:28dBm,15V DC,Without Heatsink | Rev.1.1     |