

Part No.: RS2DC270-S

Power Splitter/Combiner 2Way SMA 50Ω DC to 27 GHz

电气特性 Electrical:

工作频率 Frequency Range: DC-27 GHz

插入损耗 Insertion Loss: ≤8.0dB(包含理论)

驻波 VSWR: ≤1.55/2.5 : 1

隔离 Isolation: ≥10dB

幅度平衡 Amplitude Balance: ≤±0.5dB

相位平衡 Phase Balance: ≤±5°

耐功率 Power Handling: 3 Watt

阻抗 Impedance: 50 OHMS

机械特性 Mechanical :

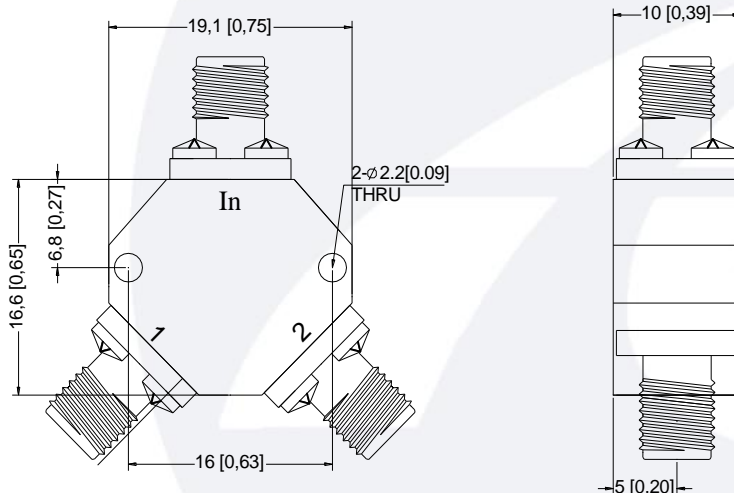
温度范围 Temperature Range: -55° C - +85° C

接口 Connectors: SMA-Female

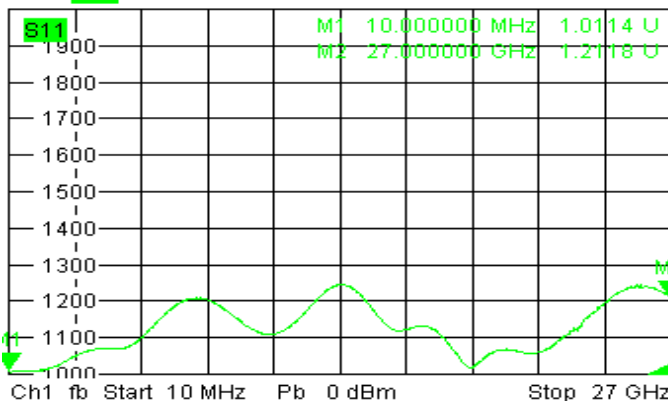
相对湿度 Relative Humidity: 0 ~ 90%

外形尺寸 Outline Drawing:

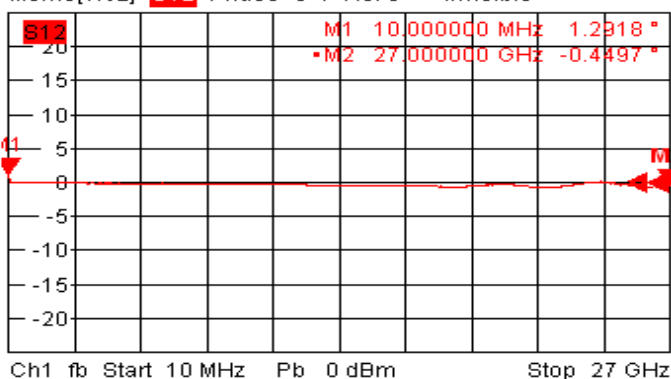
Unit: mm



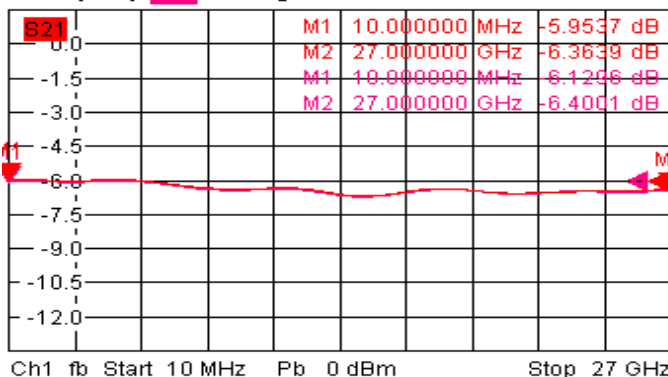
Trc1 **S11** SWR 100 mU/ Ref1 U Cal 1



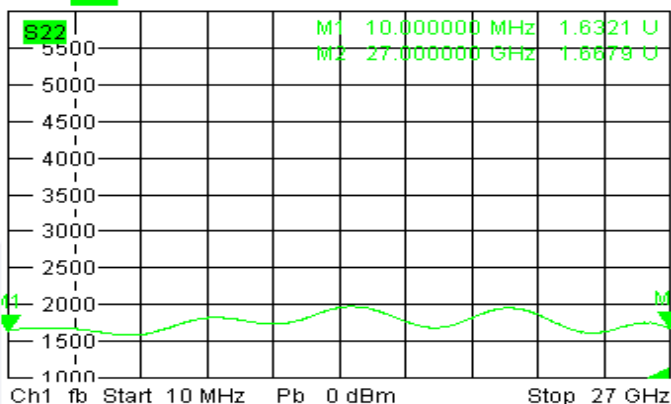
Trc2 **S12** Phase 5° / Ref0° Cal Math 2
Mem5[Trc2] **S12** Phase 5° / Ref0° Invisible



Trc3 **S21** dB Mag 1.5 dB / Ref-6 dB Cal 3
Mem6[Trc3] **S21** dB Mag 1.5 dB / Ref-6 dB



Trc4 **S22** SWR 500 mU/ Ref1 U Cal 4



Trc2 **S12** dB Mag 1 dB / Ref -10 dB Cal

2 (Max)

