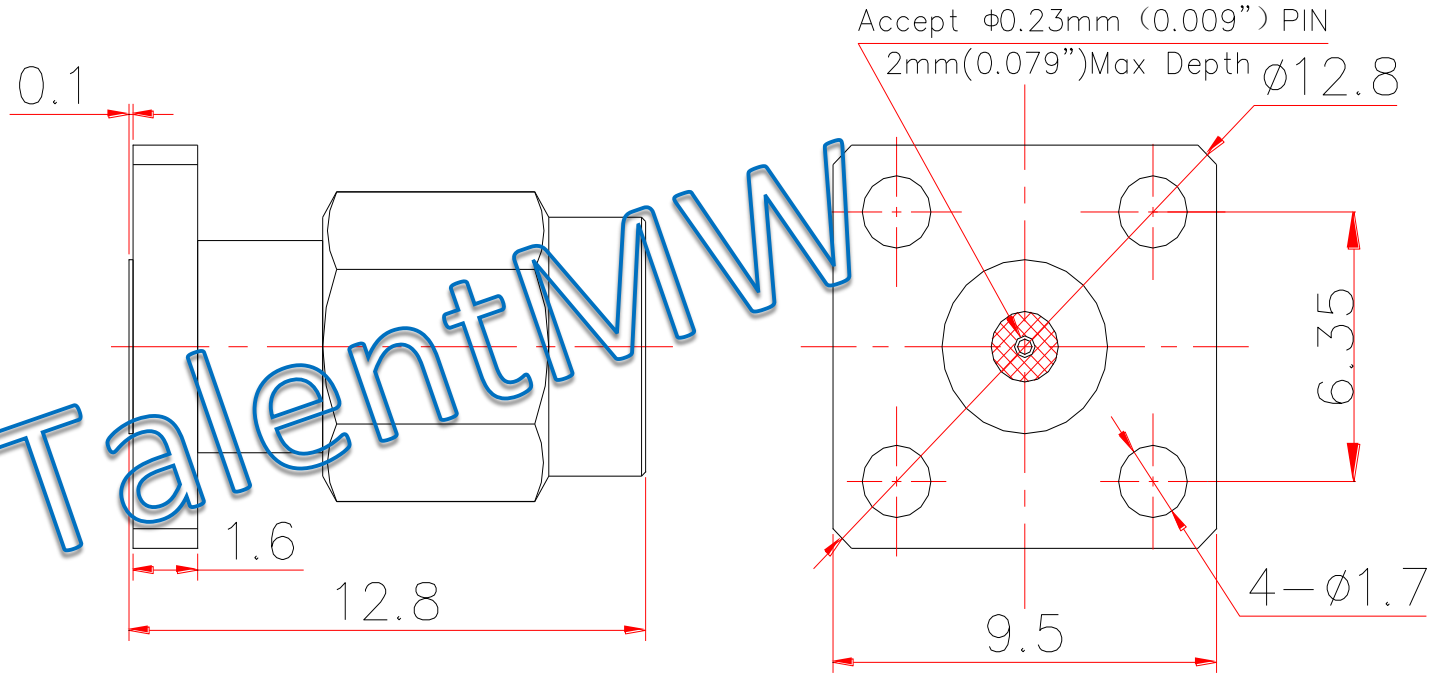


TalentMWW



Electrical & Environmental Characteristics

Impedance	50 Ohm
Insulation Resistance	1000 MΩ
Operating Frequency	40GHz
Dielectric Withstanding Voltage	750 V
VSWR	1.20
Insertion Loss	0.05* $\sqrt{f_GHz}$
Operating Temperature	-55~+165°C

Material & Coat-Plating

Inner Conductor	Beryllium Copper, Gold
Dielectric	PTFE
Body	Stainless Steel, Passivated
Coupling Nut	Stainless Steel, Passivated

THIS DRAWING IS A CONTROLLED DOCUMENT		DWN	Suzhou Talent Microwave, Inc			
		CHK				
Unit mm	TOLERANCES UNLESS OTHERWISE SPECIFIED 0 PLC ±0.25 1 PLC ±0.15 2 PLC ±0.12 3 PLC ± 3 PLC ± ANGLES ±1°	APVD	Product Mode			
		PRODUCT SPEC	SSMA-JFD80209 SSMA Male Flange Connector			
		APPLICATION SPEC				
MATERIAL SEE TABLE	FINISH SEE TABLE	WEIGHT	SIZE A4	GAGE CODE 0T8L4	DRAWING NO	
			CUSTOMER DRAWING	SCALE 4: SCALE 4: 1	SHEET 1 OF 1	RVE 1