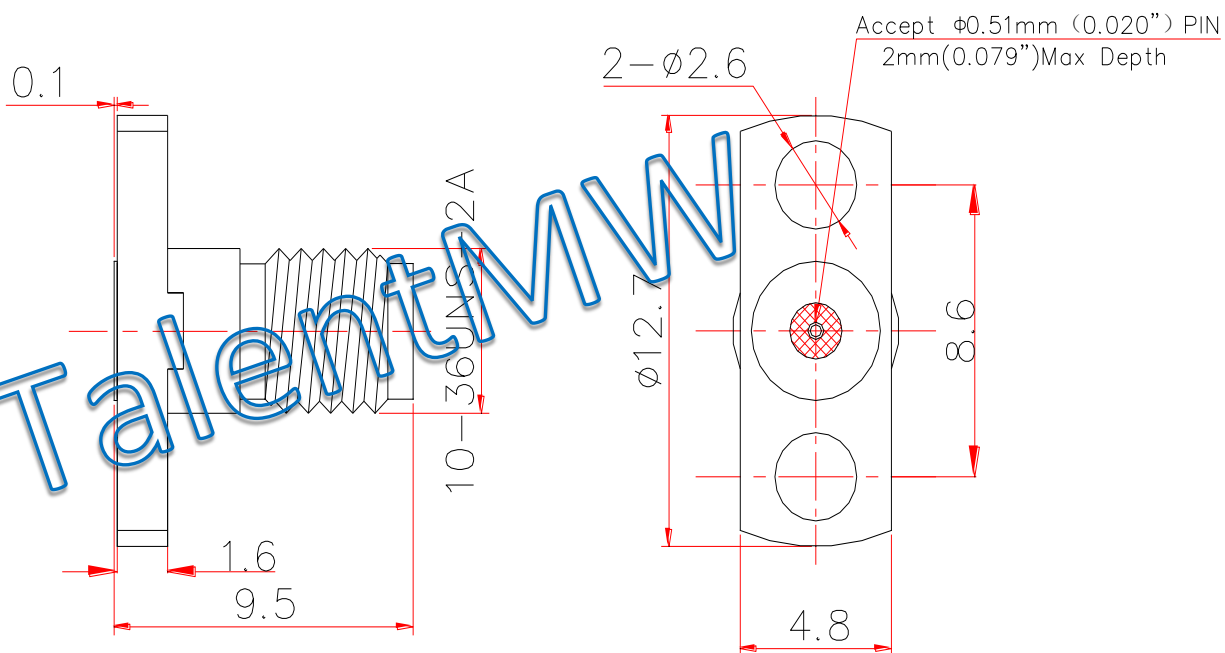


TalentM



**Electrical & Environmental Characteristics**

Impedance	50 Ohm
Insulation Resistance	1000 M $\Omega$
Operating Frequency	40GHz
Dielectric Withstanding Voltage	750 V
VSWR	1.20
Insertion Loss	0.05* $\text{Sqrt}(f\_GHz)$
Operating Temperature	-55~+165 $^{\circ}\text{C}$

**Material & Coat-Plating**

Inner Conductor	Beryllium Copper, Gold
Dielectric	PTFE
Body	Stainless Steel, Passivated
Coupling Nut	N/A

THIS DRAWING IS A CONTROLLED DOCUMENT		DWN	Suzhou Talent Microwave, Inc		
		CHK			
Unit mm	TOLERANCES UNLESS OTHERWISE SPECIFIED 0 PLC $\pm 0.25$ 1 PLC $\pm 0.15$ 2 PLC $\pm 0.12$ 3 PLC $\pm$ 3 PLC $\pm$ ANGLES $\pm 1^{\circ}$	APVD	Product Mode  <b>SSMA-KFD80720</b> SSMA Female Flange Connector		
		PRODUCT SPEC			
		APPLICATION SPEC			
MATERIAL SEE TABLE	FINISH SEE TABLE	WEIGHT	SIZE A4	GAGE CODE 0T8L4	DRAWING NO
		CUSTOMER DRAWING		SCALE 4: 1	SHEET 1 OF 1
				SCALE 4: 1	RVE 1