

Part No.: TC-0460-10S

10dB Directional Coupler SMA- Female 50Ω 400-6000MHz

电气特性 Electrical:

工作频率 Frequency Range: 400-6000MHz
 耦合度 Coupling: $10 \pm 1.2\text{dB}$
 插入损耗 Insertion Loss: $\leq 1.0\text{dB}$
 驻波 VSWR: $\leq 1.5:1$
 方向性 Directivity: $\geq 12\text{dB}$
 耐功率 Power Handling: 30Watt
 阻抗 Impedance: 50Ω

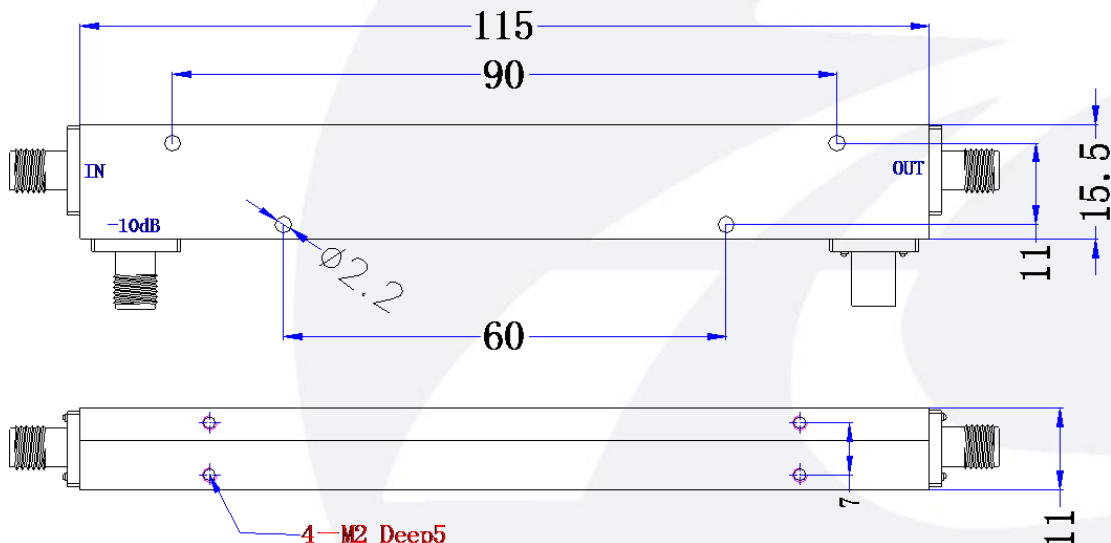


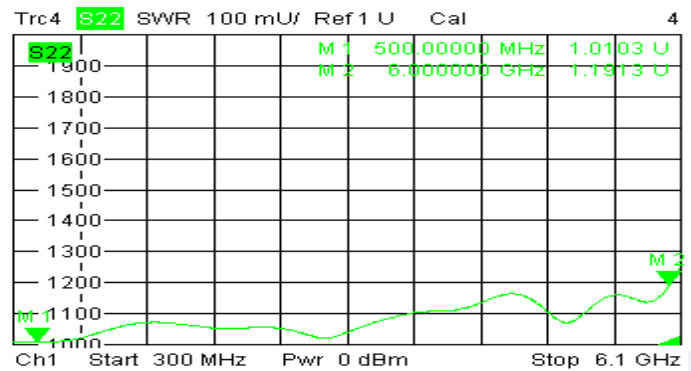
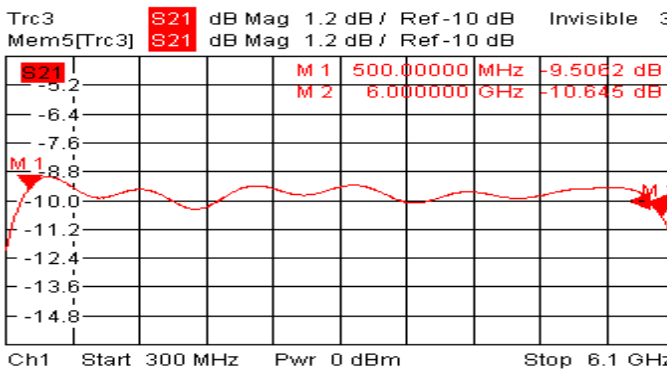
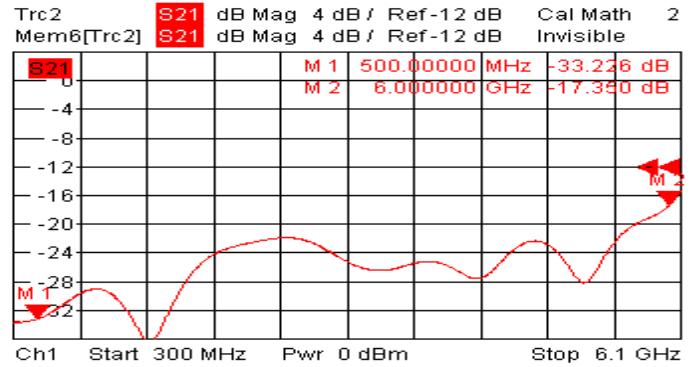
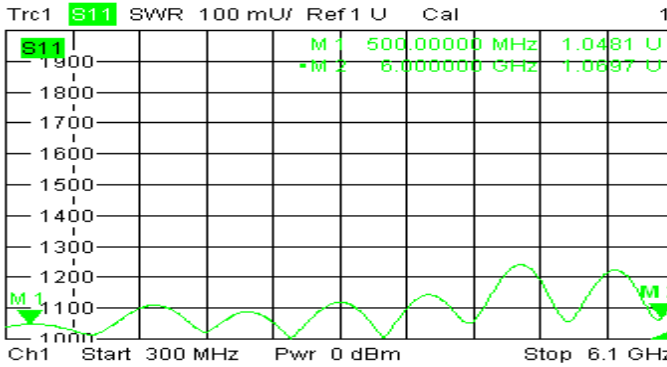
机械特性 Mechanical:

温度范围 Temperature Range: $-40^{\circ}\text{C} - +80^{\circ}\text{C}$
 接口 Connectors: SMA-Female
 相对湿度 Relative Humidity: 0 ~ 90%

外形尺寸 Outline Drawing:

Unit: mm

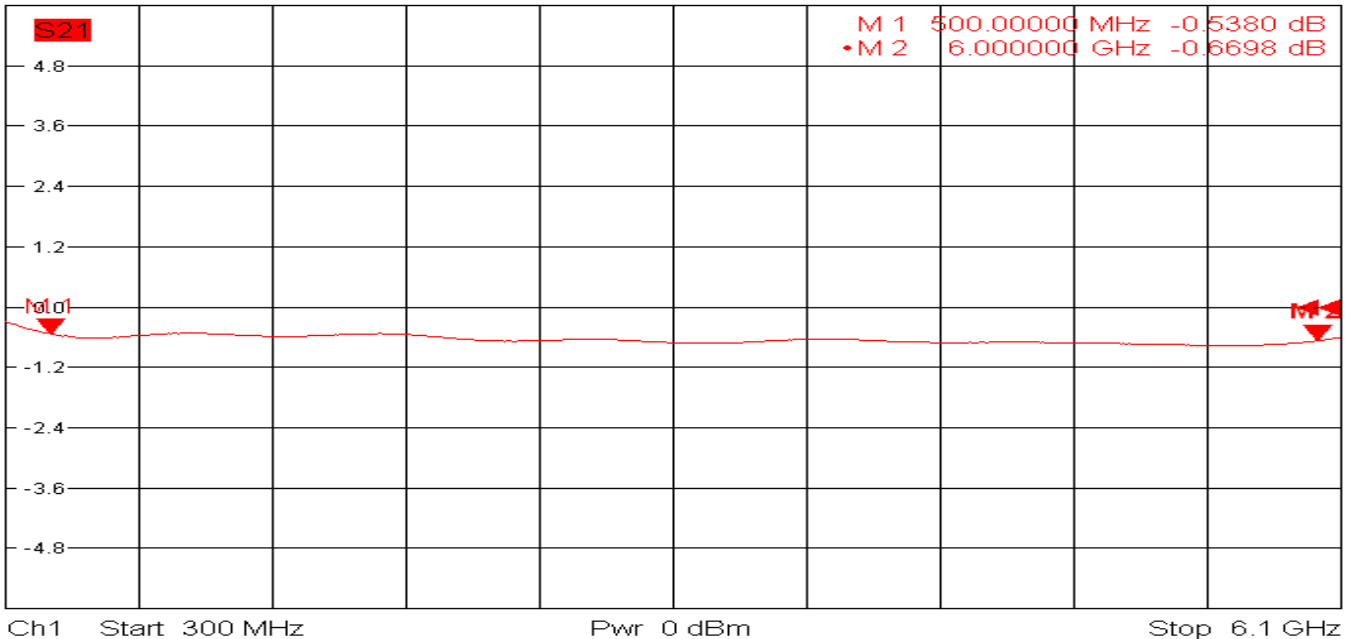




11/7/2019, 11:53 AM



Trc3 **S21** dB Mag 1.2 dB / Ref 0 dB Cal 3 of 4 (Max)
Mem5[Trc3] **S21** dB Mag 1.2 dB / Ref 0 dB Invisible



11/7/2019, 11:58 AM