

Part No.: TC-05180-20S

20dB Directional Coupler SMA- Female 50Ω 500-18000MHz

电气特性 Electrical:

工作频率 Frequency Range: 0.5-18.0GHz
 耦合度 Coupling: $20 \pm 1.5\text{dB}$
 插入损耗 Insertion Loss: $\leq 2.0\text{dB}$
 驻波 VSWR: $\leq 1.7:1$
 方向性 Directivity: $\geq 10\text{dB}$
 耐功率 Power Handling: 30Watt
 阻抗 Impedance: 50Ω

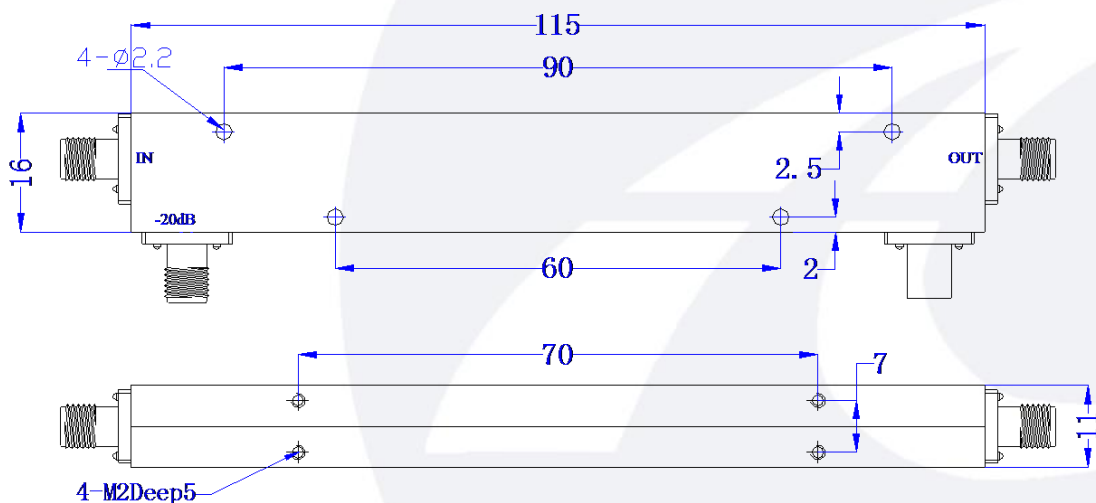


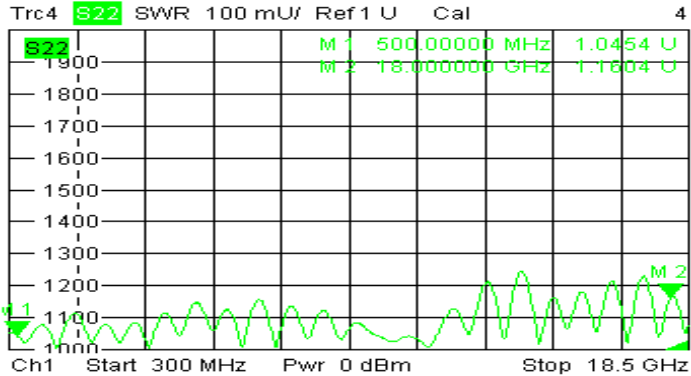
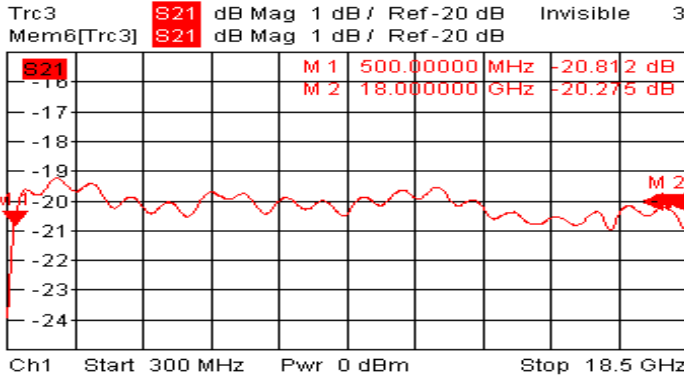
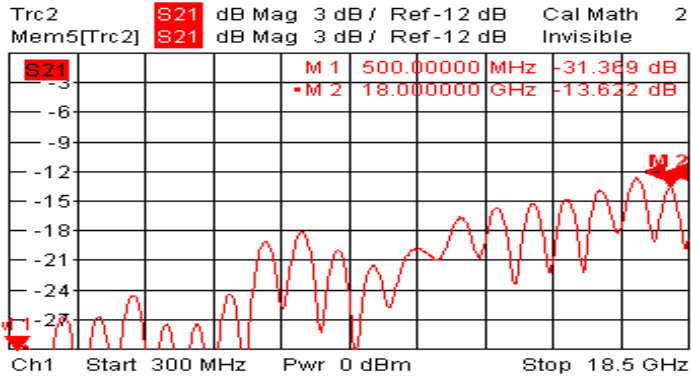
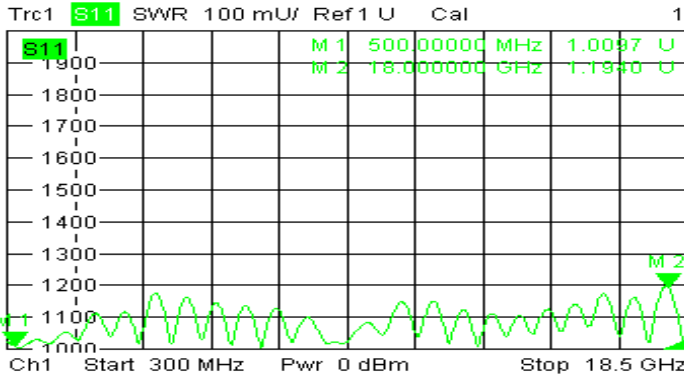
机械特性 Mechanical:

温度范围 Temperature Range: $-40^{\circ}\text{C} - +80^{\circ}\text{C}$
 接口 Connectors: SMA-Female
 相对湿度 Relative Humidity: 0 ~ 90%

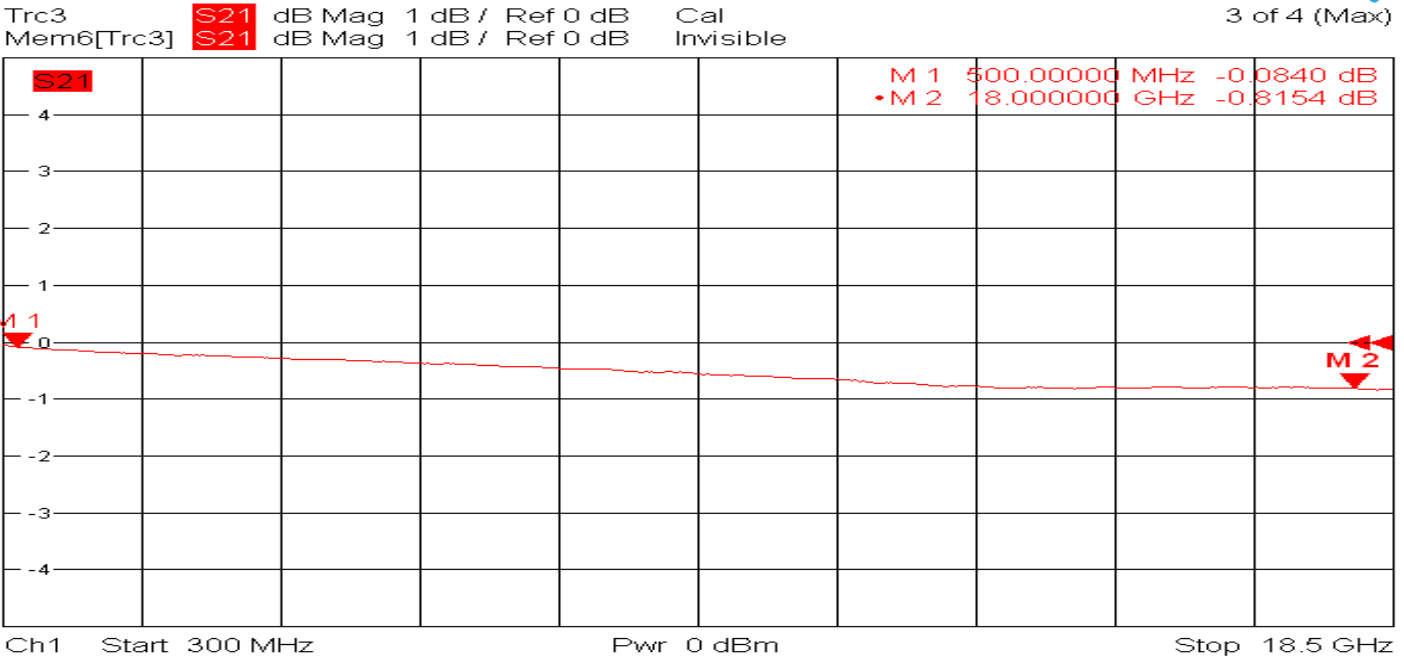
外形尺寸 Outline Drawing:

Unit: mm





2/25/2020, 6:10 PM



2/25/2020, 6:19 PM