

Part No.: TC-10400-20K

20dB Directional Coupler 2.92- Female 50Ω 1-40GHz

电气特性 Electrical:

工作频率 Frequency Range:	1-40GHz
耦合度 Coupling:	20±1.2dB
插入损耗 Insertion Loss:	≤2.1dB
驻波 VSWR:	≤1.7:1
方向性 Directivity:	≥10dB
耐功率 Power Handling:	20Watt
阻抗 Impedance:	50Ω

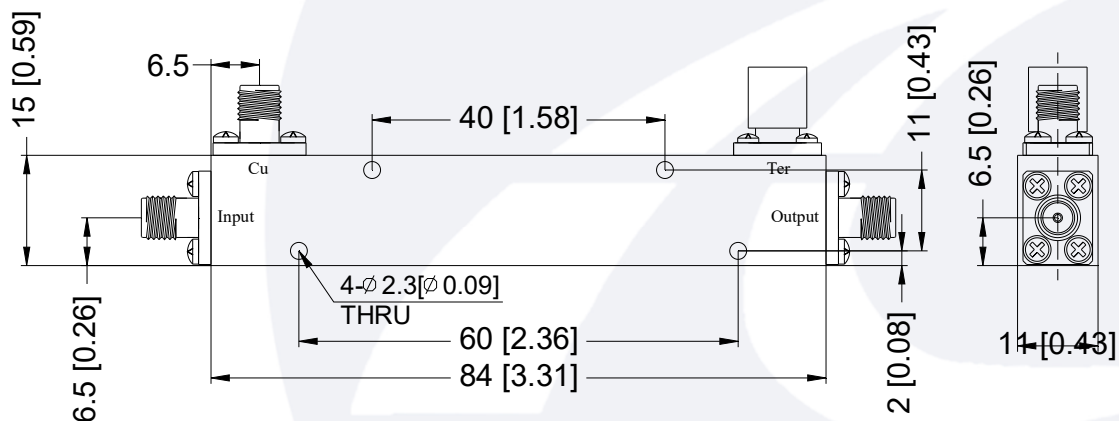


机械特性 Mechanical:

温度范围 Temperature Range:	-40° C - +80° C
接口 Connectors:	2.92-Female
相对湿度 Relative Humidity:	0 ~ 90%

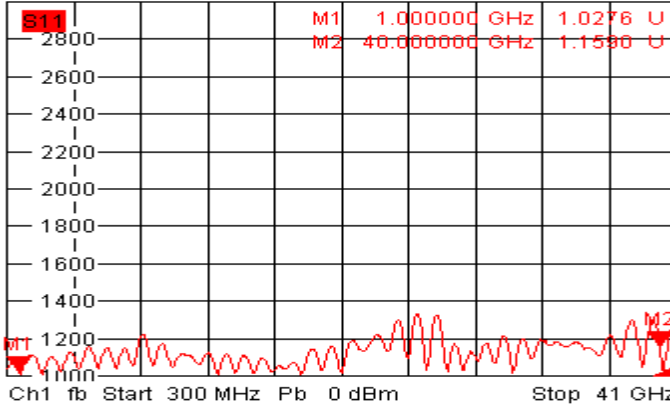
外形尺寸 Outline Drawing:

Unit: mm

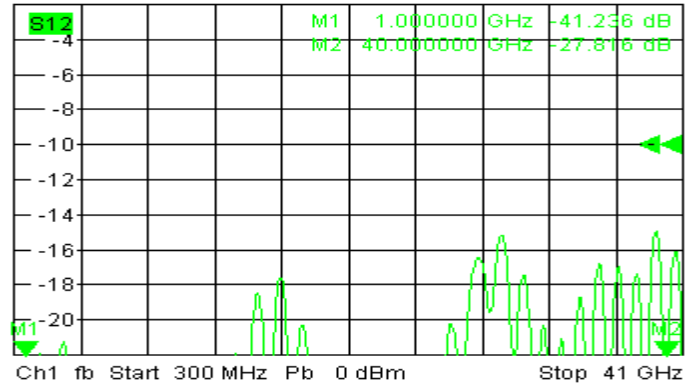




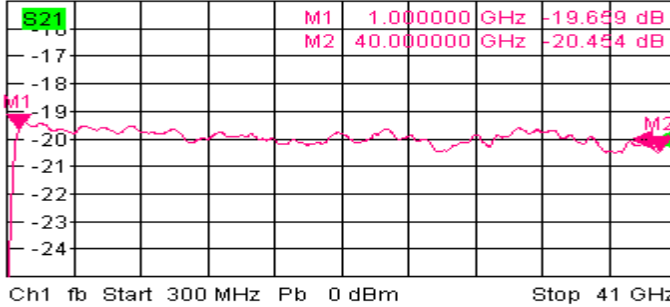
Trc1 **S11** SWR 200 mU/ Ref1 U Cal 1



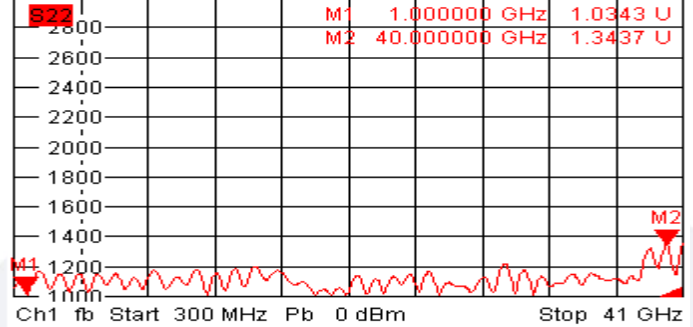
Trc2 **S12** dB Mag 2 dB / Ref-10 dB Cal Math 2
Mem5[Trc2] **S12** dB Mag 2 dB / Ref-10 dB Invisible



Trc3 **S21** dB Mag 1 dB / Ref-20 dB Invisible 3
Mem6[Trc3] **S21** dB Mag 1 dB / Ref-20 dB



Trc4 **S22** SWR 200 mU/ Ref1 U Cal 4

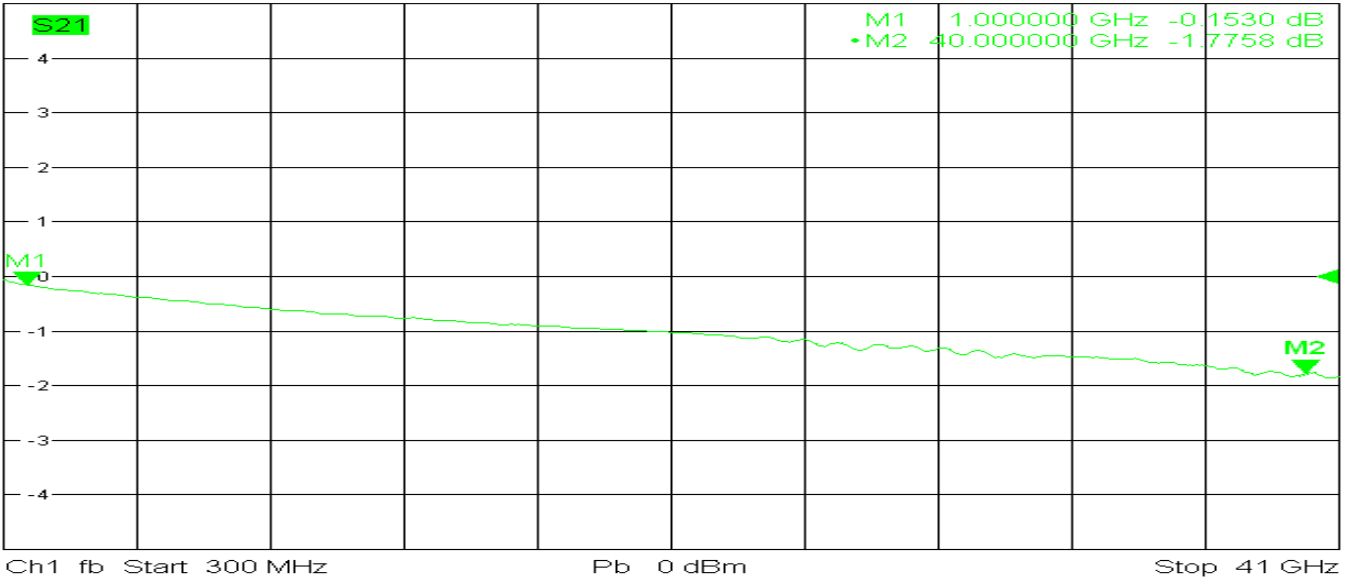


3/10/2016, 1:49 AM



Trc3 **S21** dB Mag 1 dB / Ref 0 dB Cal

3 (Max)



3/10/2016, 1:57 AM