

Part No.: TC-20400-20K

20dB Directional Coupler 2.92- Female 50Ω 2-40GHz

电气特性 Electrical:

工作频率 Frequency Range: 2-40GHz
 耦合度 Coupling: $20 \pm 0.8\text{dB}$
 插入损耗 Insertion Loss: $\leq 1.5\text{dB}$
 驻波 VSWR: $\leq 1.7:1$
 方向性 Directivity: $\geq 10\text{dB}$
 耐功率 Power Handling: 20Watt
 阻抗 Impedance: 50Ω

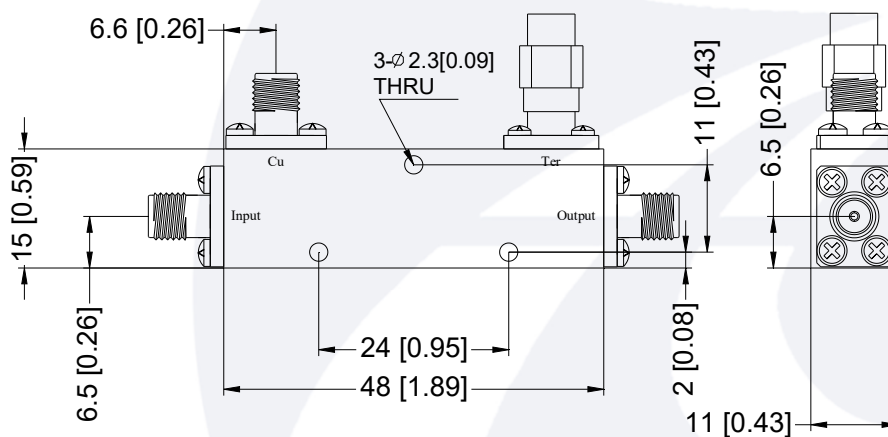


机械特性 Mechanical:

温度范围 Temperature Range: $-40^{\circ}\text{C} - +80^{\circ}\text{C}$
 接口 Connectors: 2.92-Female
 相对湿度 Relative Humidity: 0 ~ 90%

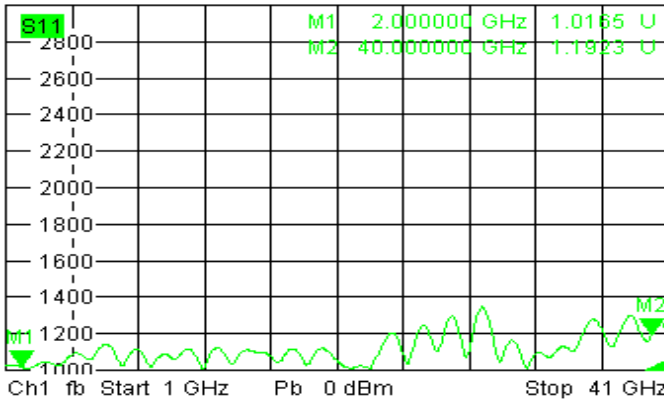
外形尺寸 Outline Drawing:

Unit: mm

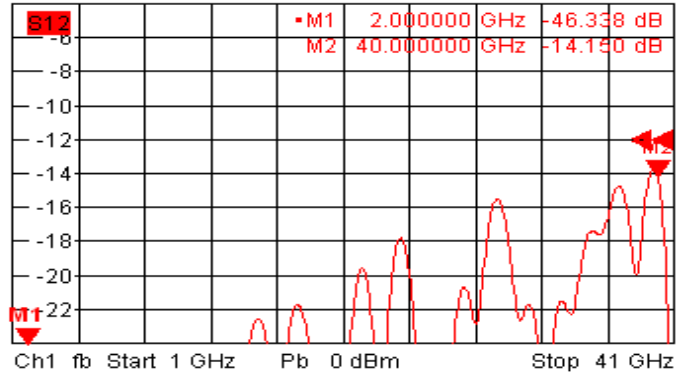




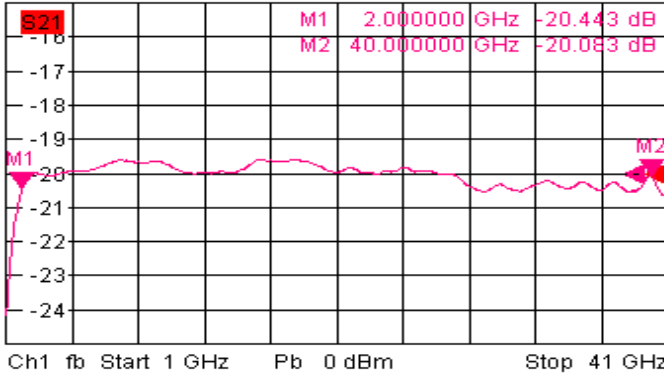
Trc1 **S11** SWR 200 mU/ Ref1 U Cal 1



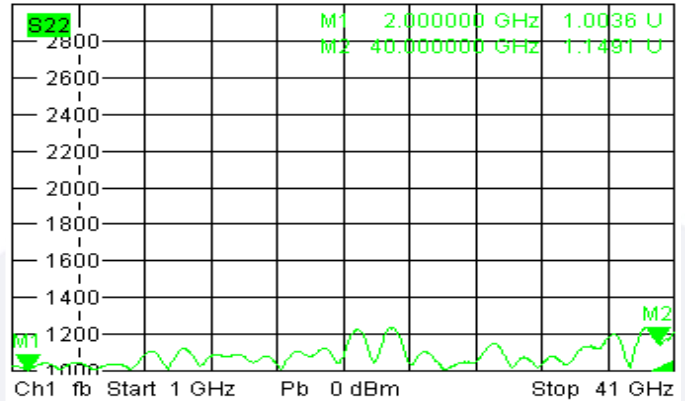
Trc2 **S12** dB Mag 2 dB / Ref-12 dB Cal Math 2
Mem5[Trc2] **S12** dB Mag 2 dB / Ref-12 dB Invisible



Trc3 **S21** dB Mag 1 dB / Ref-20 dB Invisible 3
Mem6[Trc3] **S21** dB Mag 1 dB / Ref-20 dB



Trc4 **S22** SWR 200 mU/ Ref1 U Cal 4



Trc3 **S21** dB Mag 1.5 dB / Ref 0 dB Cal

