

Part No.: TC-40180-10S

10dB Directional Coupler SMA- Female 50Ω 4000-18000MHz

电气特性 Electrical:

工作频率 Frequency Range: 4-18GHz
 耦合度 Coupling: $10 \pm 1.0\text{dB}$
 插入损耗 Insertion Loss: $\leq 1.0\text{dB}$
 驻波 VSWR: $\leq 1.5:1$
 方向性 Directivity: $\geq 12\text{dB}$
 耐功率 Power Handling: 30Watt
 阻抗 Impedance: 50Ω

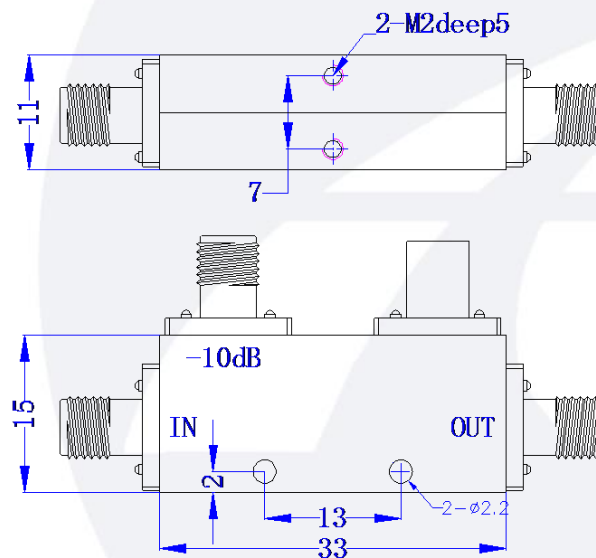


机械特性 Mechanical:

温度范围 Temperature Range: $-40^{\circ}\text{C} - +80^{\circ}\text{C}$
 接口 Connectors: SMA-Female
 相对湿度 Relative Humidity: 0 ~ 90%

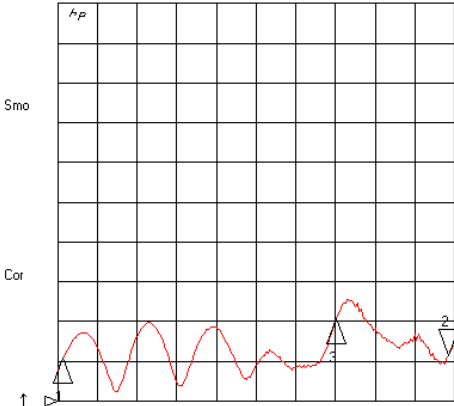
外形尺寸 Outline Drawing:

Unit: mm



5 Mar 2018 06:55:15

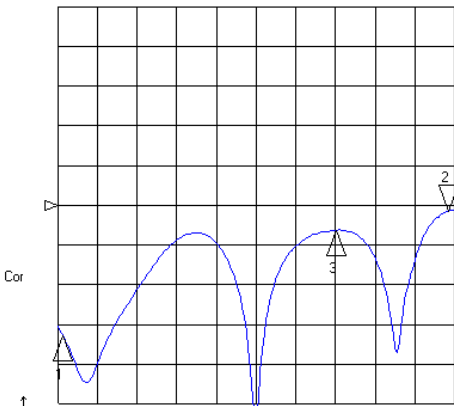
CH1 SWR 100 m / REF 1
S11 2 : 1.1164 18 . 000 000 000 GHz



CH1 Markers
1 : 1.1083
4 . 00000 GHz
3 : 1.2092
13 . 9131 GHz

START 3800 . 000 MHz STOP18200 . 000 MHz

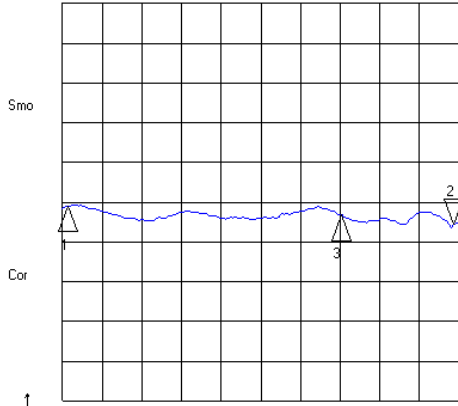
CH3 LOG 5 dB / REF -22 dB
MEM 2 : -22 . 648 dB 18 . 000 000 000 GHz



CH3 Markers
1 : -38 . 373 dB
4 . 00000 GHz
3 : 25 . 120 dB
13 . 9131 GHz

START 3800 . 000 MHz STOP18200 . 000 MHz
2018-3-5 14:22:05

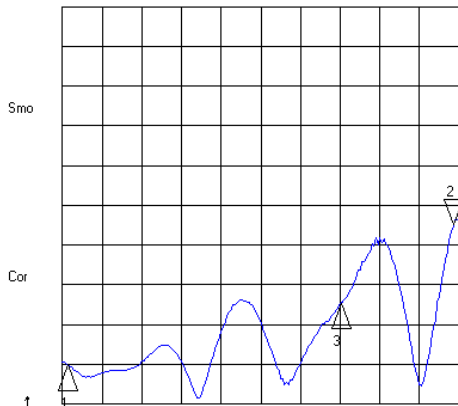
CH2 LOG 1 dB / REF -10 dB
S21 2 : -10 . 558 dB 18 . 000 000 000 GHz



CH2 Markers
1 : -10 . 096 dB
4 . 00000 GHz
3 : -10 . 313 dB
13 . 9131 GHz

START 3800 . 000 MHz STOP18200 . 000 MHz

CH4 SWR 100 m / REF 1
S22 2 : 1.4525 18 . 000 000 000 GHz



CH4 Markers
1 : 1.0997
4 . 00000 GHz
3 : 1.2544
13 . 9131 GHz

START 3800 . 000 MHz STOP18200 . 000 MHz