

Part No.: TC-60265-10K

10dB Directional Coupler 2.92- Female 50Ω 6-26.5 GHz

电气特性 Electrical:

工作频率 Frequency Range: 6-26.5GHz
 耦合度 Coupling: $10 \pm 0.6\text{dB}$
 插入损耗 Insertion Loss: $\leq 1.3\text{dB}$
 驻波 VSWR: $\leq 1.4:1$
 方向性 Directivity: $\geq 13\text{dB}$
 耐功率 Power Handling: 30Watt
 阻抗 Impedance: 50Ω

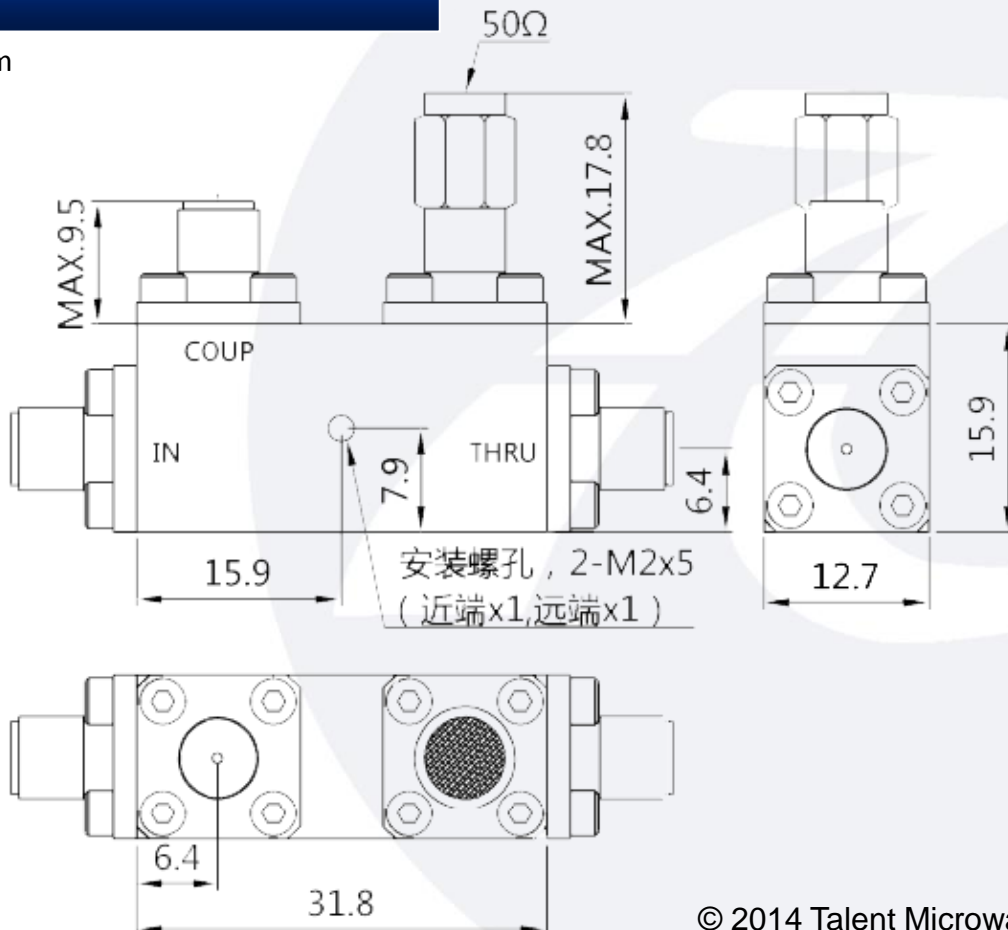


机械特性 Mechanical:

温度范围 Temperature Range: $-40^{\circ}\text{C} - +80^{\circ}\text{C}$
 接口 Connectors: 2.92-Female
 相对湿度 Relative Humidity: 0 ~ 90%

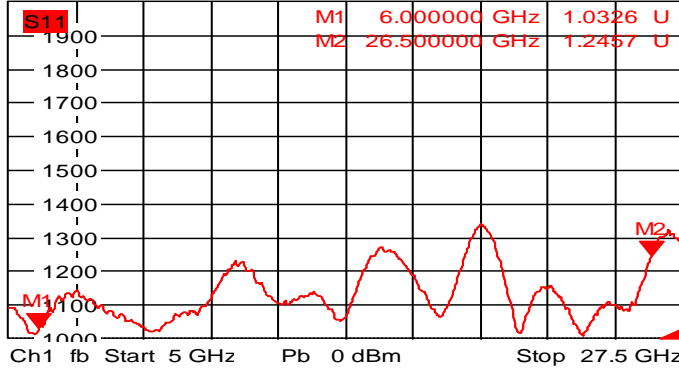
外形尺寸 Outline Drawing:

Unit: mm

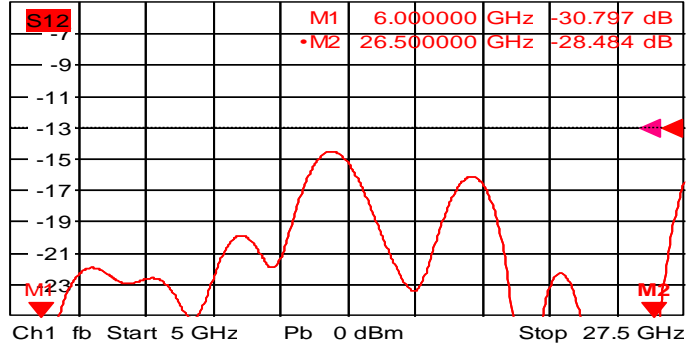




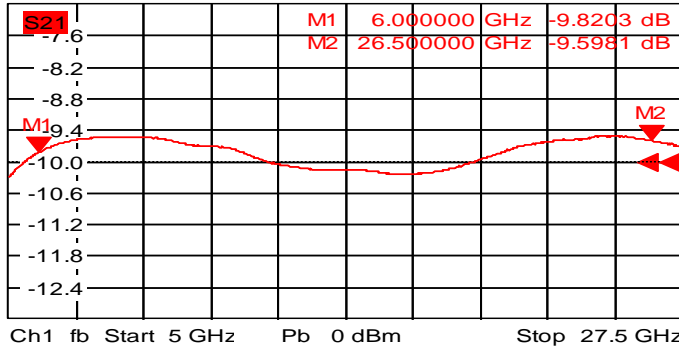
Trc1 **S11** SWR 100 mU/ Ref 1 U Cal 1



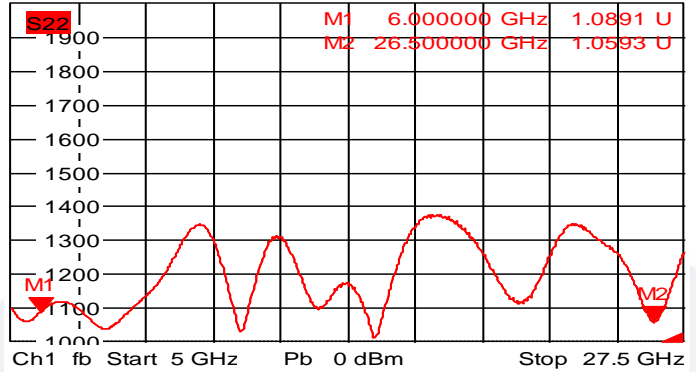
Trc2 **S12** dB Mag 2 dB / Ref -13 dB Cal Math 2
Mem6[Trc2] **S12** dB Mag 2 dB / Ref -13 dB Invisible



Trc3 **S21** dB Mag 0.6 dB / Ref -10 dB Invisible 3
Mem5[Trc3] **S21** dB Mag 0.6 dB / Ref -10 dB



Trc4 **S22** SWR 100 mU/ Ref 1 U Cal 4



Trc3 **S21** dB Mag 1.3 dB / Ref 0 dB Cal
Mem5[Trc3] **S21** dB Mag 1.3 dB / Ref 0 dB Invisible

3 (Max)

