

Part No.: TC-60500-10-2

10dB Directional Coupler 2.4mm- Female 50Ω 6-50GHz

电气特性 Electrical:

工作频率 Frequency Range: 6-50GHz
 耦合度 Coupling: 10±1.0dB
 插入损耗 Insertion Loss: ≤1.8dB
 驻波 VSWR: ≤1.9:1
 方向性 Directivity: ≥10dB
 耐功率 Power Handling: 20Watt
 阻抗 Impedance: 50Ω

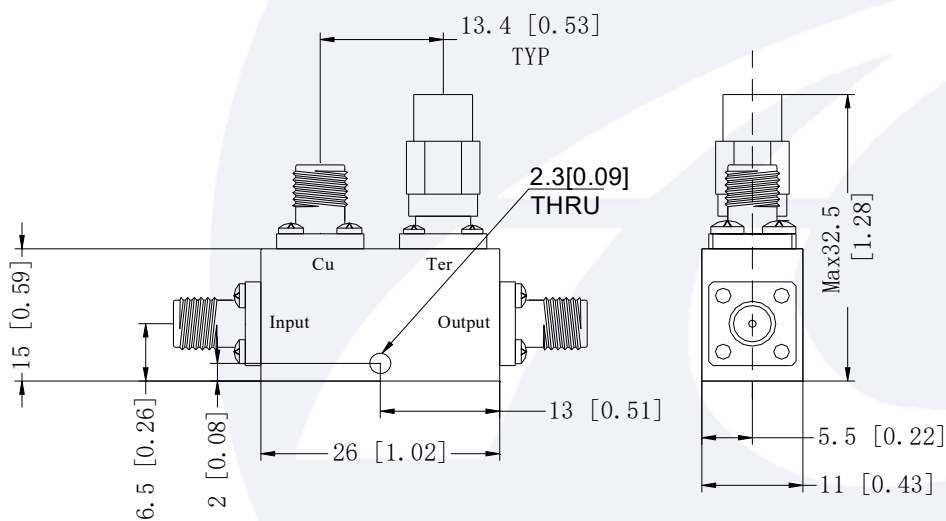


机械特性 Mechanical:

温度范围 Temperature Range: -40° C - +80° C
 接口 Connectors: 2.4mm-Female
 相对湿度 Relative Humidity: 0 ~ 90%

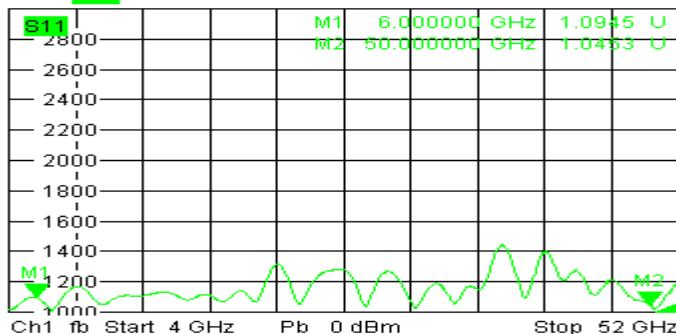
外形尺寸 Outline Drawing:

Unit: mm



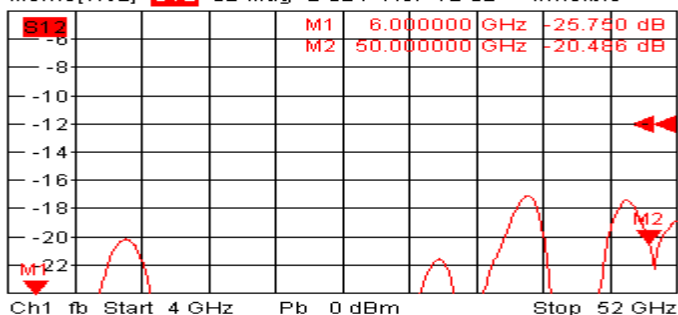


Trc1 **S11** SWR 200 mU/ Ref1 U Cal 1

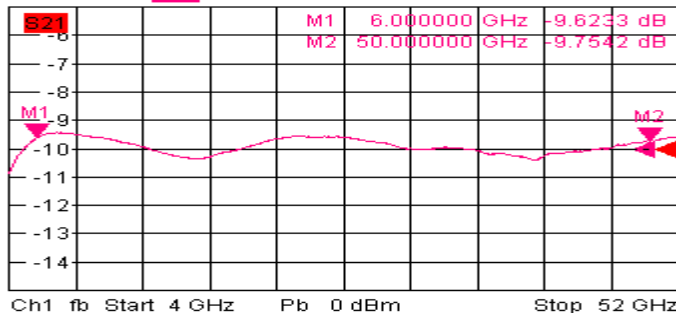


Trc2 **S12** dB Mag 2 dB / Ref-12 dB Cal Math 2
Mem5[Trc2] **S12** dB Mag 2 dB / Ref-12 dB Invisible

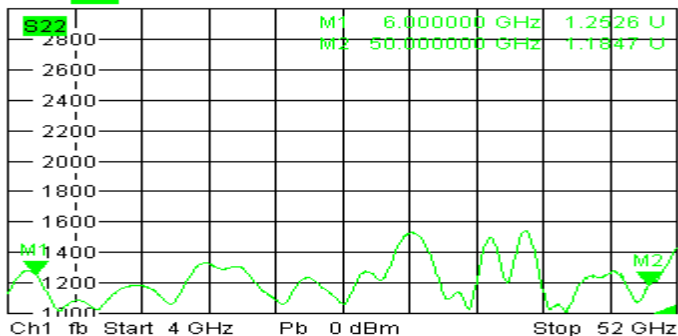
Trc2 **S12** dB Mag 2 dB / Ref-12 dB Cal Math 2
Mem5[Trc2] **S12** dB Mag 2 dB / Ref-12 dB Invisible



Trc3 **S21** dB Mag 1 dB / Ref-10 dB Invisible 3
Mem6[Trc3] **S21** dB Mag 1 dB / Ref-10 dB



Trc4 **S22** SWR 200 mU/ Ref1 U Cal 4

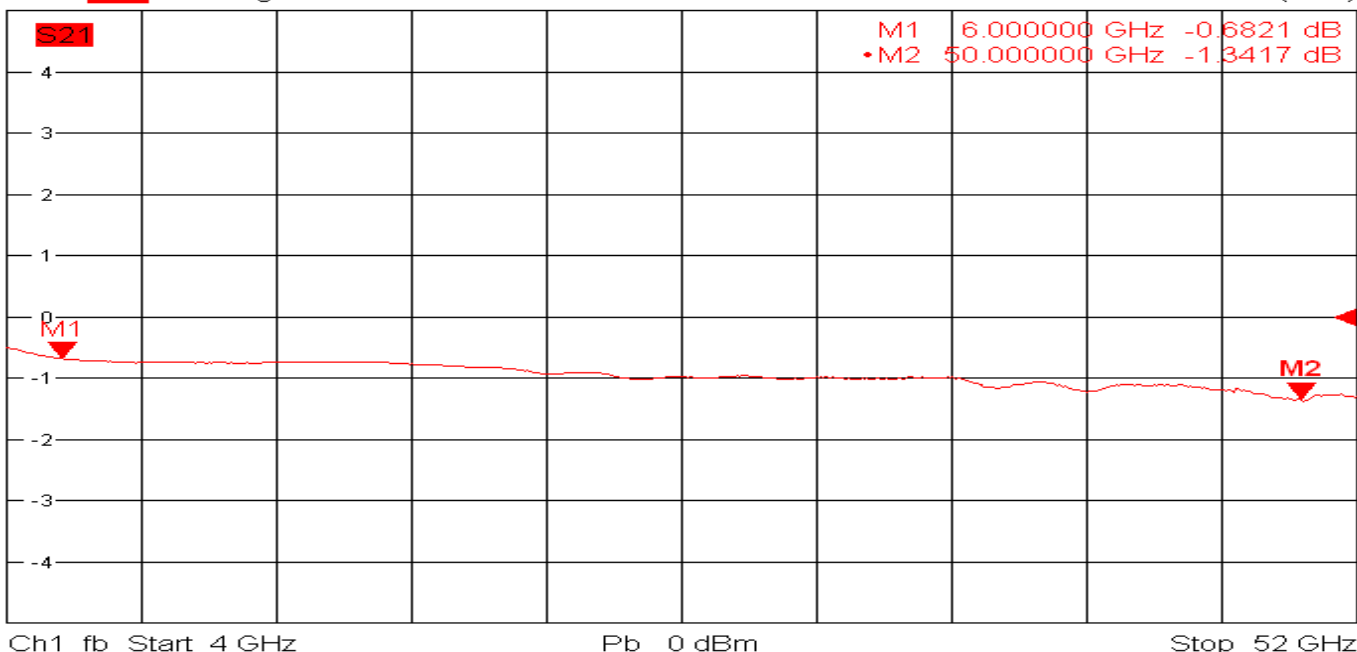


12/25/2019, 7:17 AM



Trc3 **S21** dB Mag 1 dB / Ref 0 dB Cal

3 (Max)



12/25/2019, 7:34 AM